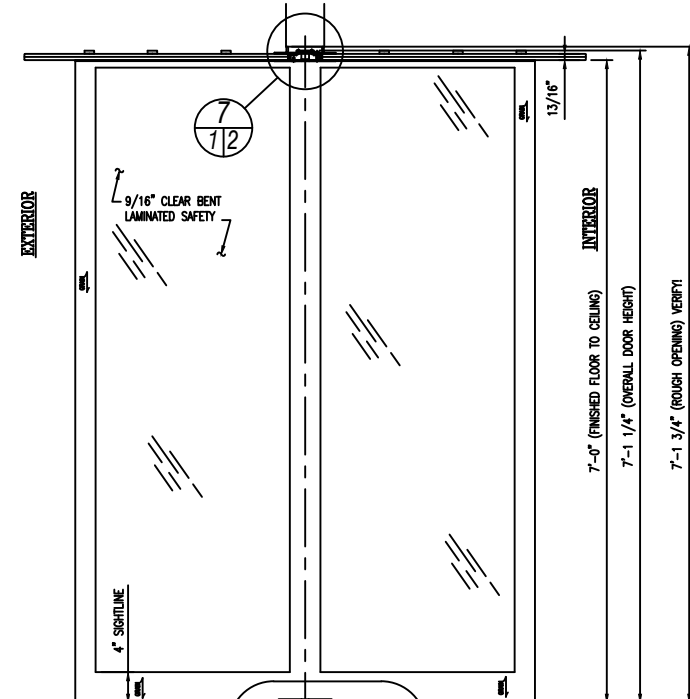


**EXTERIOR ELEVATION**



**SECTION AT**  
(WINGS NOT SHOWN)

**INSTALLATION PROCEDURE**

1. G.C. NOTE: LAY OUT ENTRANCE ON FINISHED FLOOR. FINISH FLOOR MUST BE LEVEL.  $\pm 1/16$
2. SET ENCLOSURE WALLS UP IN PLACE. PLUMB AND LEVEL. VERIFY THAT WALLS ARE TO CORRECT RADIUS BY COMPARING TO FLOOR LAYOUT.
3. MARK FLOOR FOR DOWEL LOCATIONS.
4. REMOVE WALLS. DRILL SUBFLOOR FOR DOWELS. REPLACE WALLS AND DOWEL TO FLOOR.
5. INSTALL CEILING GLASS & SHIM IN LOCATIONS SHOWN.
6. PLUMB DOWN FROM TOP PIVOT. LOCATE AND SET FLOOR SPEED CONTROL. FILL VOID WITH QUICK-SET CEMENT.
7. INSTALL CENTERSHAFT. CHECK TOP PIVOT PIN TO BE LOCKED UP INTO BEARING WITH SET SCREW.
8. HANG WINGS
9. GLAZE WALLS (SEE INSTRUCTION SHEET & JOB DRAWINGS).
10. G.C. NOTE: INSTALL FLOOR LOCKKEEPERS.

**SCOPE OF WORK:**

IRD TO SUPPLY WALLS, WINGS, CENTERSHAFT, FLOOR MOUNTED SPEED CONTROL, CEILING GLASS, AND TRANSFER TEMPLATE FOR LOCATION OF WALL ATTACHMENT AT CEILING AND FLOOR.

INSTALLER RESPONSIBLE FOR INSTALLATION OF REVOLVING DOOR AT STOREFRONT PER INSTALLATION INSTRUCTIONS. WALLS OF REVOLVING DOOR TO BE ANCHORED INTO SOLID MASONRY AT FINISHED FLOOR. (4) ADDITIONAL  $3/8$ -16 ANCHOR BOLTS TO BE INSTALLED FROM WALL JAM TO CENTER MULLION AT TOP OF WALL. INSTALLER TO APPLY ELASTOMETRIC GLAZING AROUND PERIMETER BETWEEN REVOLVING DOOR AND SURROUNDING WALL JAM.

**NOTE!**

NUMBERS APPEARING IN THE  $\odot$  ARE FOR ERECTION ONLY. POSTS AND CEILING ARE MATCHMARKED IN SHOP.

**NOTE!**

ALL STEEL REINFORCING TO BE COATED WITH RUST PROHIBITING PAINT.

**NOTE!**

WINGS ARE EQUIPPED WITH EMERGENCY COLLAPSIBLE MECHANISM.

**NOTE!**

CONNECTING WORK TO BE DESIGNED TO BRACE & HOLD REV. DOOR SECURELY IN POSITION.

**NOTE!**

THIS ORDER WILL NOT BE FABRICATED UNTIL:  
1. SHOP DRAWINGS ARE RECEIVED MARKED "APPROVED FOR FABRICATION" BY THE GENERAL CONTRACTOR OR OTHER RESPONSIBLE PARTY.  
2. FINISH SAMPLE IS RECEIVED MARKED "APPROVED".

"APPROVED FOR DESIGN ONLY" DOES NOT CONSTITUTE SUFFICIENT APPROVAL TO ALLOW FABRICATION TO PROCEED.

G.C. NOTE: INTERNATIONAL REVOLVING DOOR COMPANY WILL NOT BE RESPONSIBLE FOR VERIFICATION OF FIELD DIMENSIONS OR COORDINATION OF DRAWINGS AND DIMENSIONS OF WORK FURNISHED BY OTHER TRADES.

\*LOCK BODY TO BE PROVIDED BY IRD FOR STANDARD  $1\ 5/32$ " DIAMETER, 1" LENGTH (5-PIN) CYLINDER WITH STANDARD CAMS. SIMILAR TO ILCO UNICAN #PB-7165-YA-1-KA2. LONGER CYLINDERS WILL REQUIRE SPACING COLLARS.  
\*\*LOCK CYLINDER BY CUSTOMER\*\*

**NOTE!**

INTERNATIONAL REVOLVING DOOR DOES NOT RECOMMEND THE FOLLOWING TYPES OF FLOORS: SLICK, GLASSY FLOORS CAUSING PEDESTRIAN TO SLIP AND POSSIBLY FALL WHILE PUSHING WINGS, RUBBER MATS CAUSING THE PEDESTRIAN TO EXERT MORE PRESSURE TO PUSH WINGS, OR FULL FLOOR GRILLS CAUSING AIR INFILTRATION.

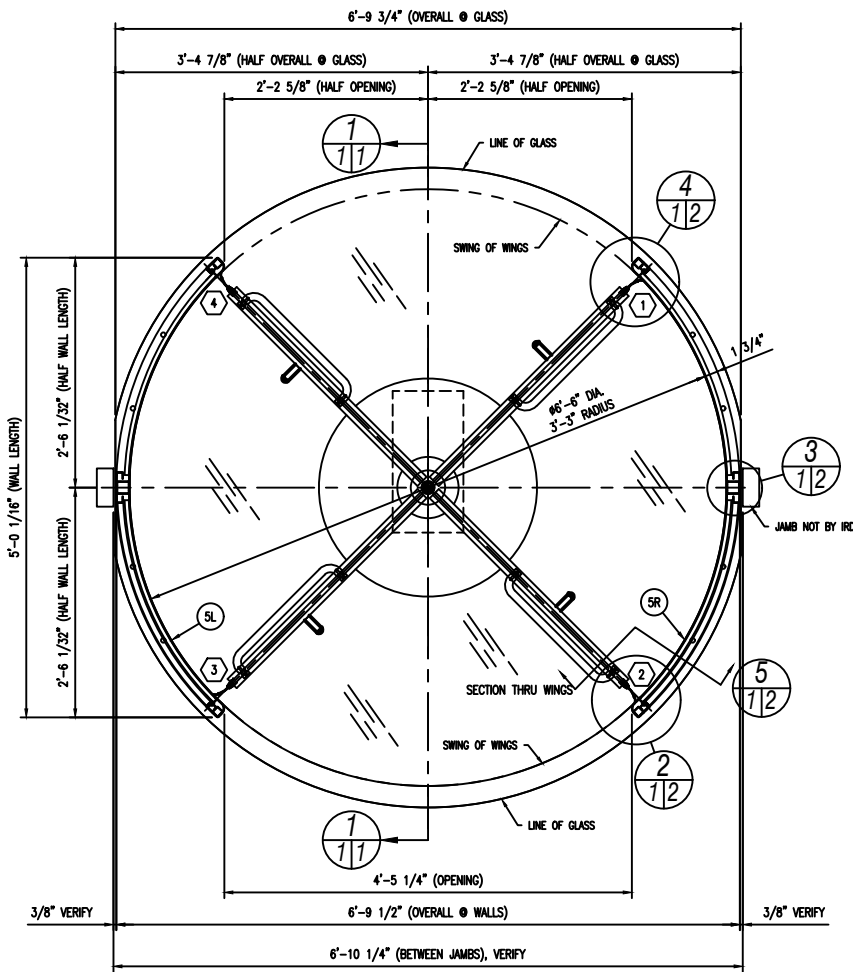
**NOTE!**

REVOLVING DOOR IS NOT FREE STANDING AND MUST BE SECURED TO EXISTING CURTAIN WALL/JAMB TO REMAIN PLUMB.

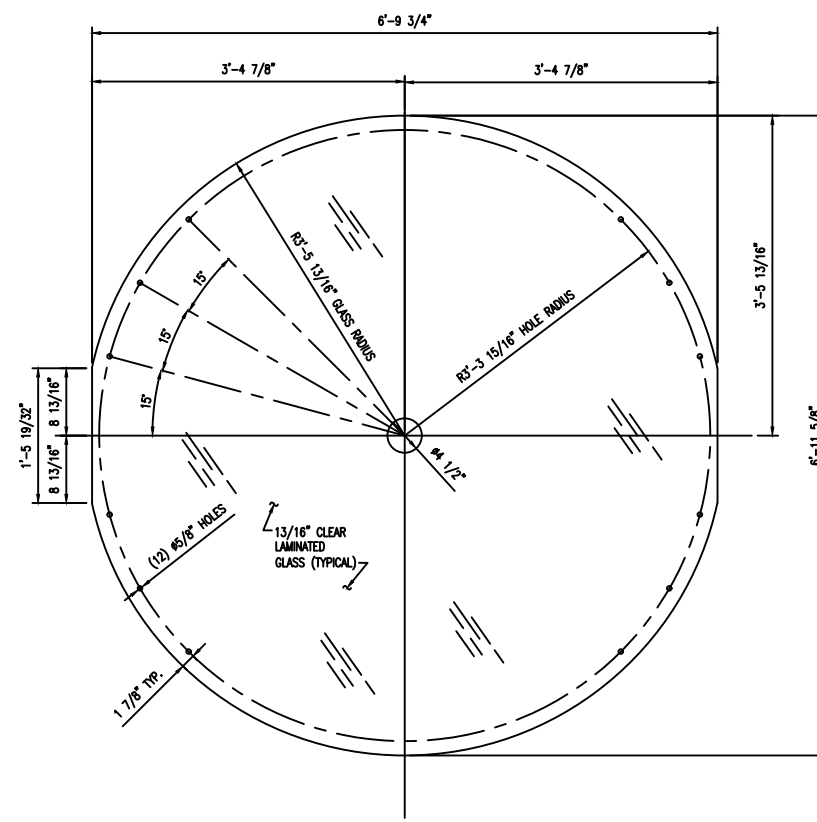
**G.C. NOTE:**

FINISHED FLOOR UNDER REVOLVING DOOR IS THE FINAL WALK-ON FLOOR. FLOOR COVERINGS LIKE CARPET, TILE, LINOLEUM, TERRAZO, RUBBER MAT, ETC. CANNOT BE ADDED TO THE FINISHED FLOOR INSIDE THE DRUM AFTER REVOLVING DOOR IS ERECTED UNLESS CLEARANCE HAS BEEN ADDED TO BOTTOM OF WINGS IN THE SHOP. REVOLVING DOOR WALLS MUST SET ON SOLID MATERIAL. (NOT ON RUBBER MAT, CARPET OR OTHER RESILIENT MATERIAL.)

JOB NOTES			
GLAZING			
WINGS, REVOLVING DOOR			
GLAZE AT:	JOB:	SHOP: <input checked="" type="checkbox"/>	
GLASS BY:	INT'L:	OTHERS: <input type="checkbox"/>	
WALLS, REVOLVING DOOR			
GLAZE AT JOB			
GLASS BY:	INT'L:	OTHERS: <input type="checkbox"/>	
ELECTRIC WIRING AND FIXTURES TO BE FURNISHED BY OTHERS UNLESS SPECIFIED "BY INT'L" ON THIS DRAWING. RECESS IN FLOOR FOR FLOOR CHECKS, SPEED CONTROL, ETC., TO BE FURNISHED BY OTHERS.			
LOCK CYLINDERS *			
STANDARD:	MASTER KEYED:	<input type="checkbox"/>	
BY INT'L:	BY OTHERS:	<input type="checkbox"/>	
INTERIOR QUARTERLINE LOCKING			
MARK WING NUMBERS AS SHOWN			
(1) REV. DOOR PER THESE DETAILS			

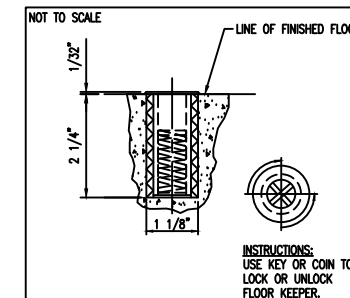


**PLAN VIEW**



**CEILING GLASS**

**INTERIOR DOOR DIMENSIONS**  
(6'-6"  $\varnothing$  x 7'-0" TALL)



**FLOOR KEEPER #3804122G**  
HEEL AND DUST PROOF

**DOOR SUMMARY:**

- S/S CLAD WALLS
- S/S CLAD COMET STYLE WINGS
- W/ VERTICAL PUSHBARS
- 1 3/8" GLASS CANOPY
- FLOOR SPEED CONTROL

**INTERNATIONAL REVOLVING DOOR COMPANY**



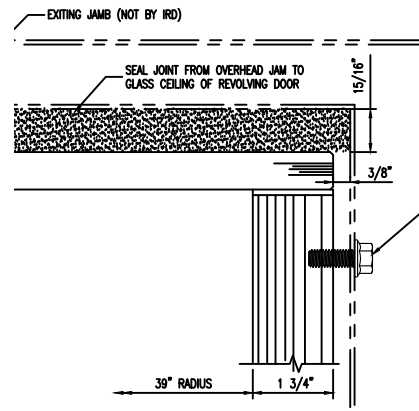
2138 N. SIXTH AVENUE, EVANSVILLE, INDIANA 47710-2895  
PH: 812-426-3311 - FAX: 812-426-2892 - TEL: 800-745-4729  
EMAIL: INFO@INTLENTRANCE.COM WWW.INTLENTRANCE.COM

JOB: STOCK DESIGN  
LOCATION: -  
CONTACT: -  
ENTRANCE: -  
ARCHITECT: -

**MATERIAL:** WINGS - S/S CLAD OVER ALUM. EXTRUSION  
WALLS - S/S CLAD OVER S/S TUBE  
CEILING - 13/16" LAMINATED SAFETY GLASS  
ROOF - N/A  
**FINISH:** #4 SATIN S/S  
**MODEL:** COMET - 4-WING - MANUAL - FLOOR

THIS CAD DRAWING IN DESIGN AND DETAIL IS THE PROPERTY OF THE INTERNATIONAL REVOLVING DOOR CO. OF EVANSVILLE, INDIANA AND MUST NOT BE SHOWN, COPIED, REPRODUCED, LOANED OR OTHERWISE DISPOSED OF DIRECTLY OR INDIRECTLY, AND SHALL BE USED ONLY IN CONNECTION WITH ESTIMATES AND WORK OF THIS COMPANY. ALL RIGHTS OF INVENTION ARE RESERVED. THIS DRAWING MUST BE RETURNED WHEN REQUESTED.

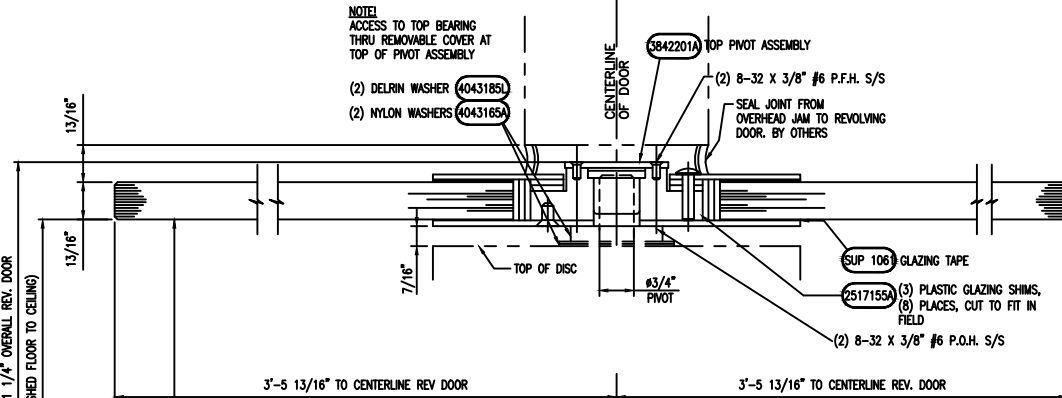
DRAWN: -	DATE: -	DOOR NO: -
CHECKED: -	DATE: -	DRAWING NO: -
SCALE: NTS		
SHEET 1	OF 2	ORDER NO: -



SECTION AT 6/212

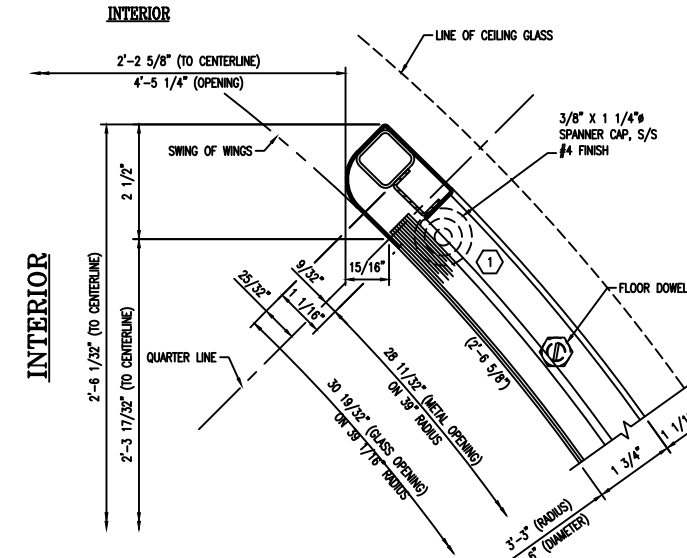
QTY (4) 3/8-16 UNC BOLTS FROM WALL JAM TO CENTER MULLION TO SECURE WALLS OF REVOLVING DOOR TO ADJOINING WORK.

EXTERIOR



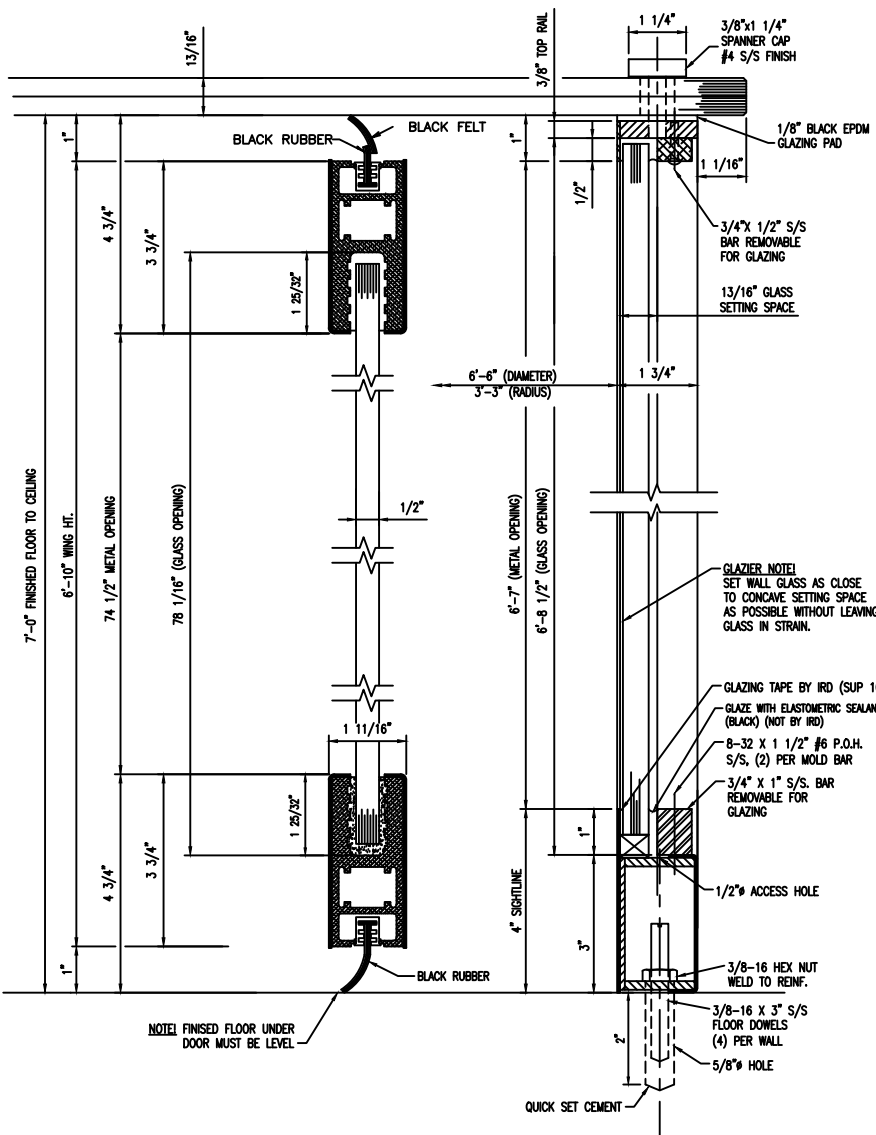
SECTION AT 7/12

NOTE: ACCESS TO TOP BEARING THRU REMOVABLE COVER AT TOP OF PIVOT ASSEMBLY



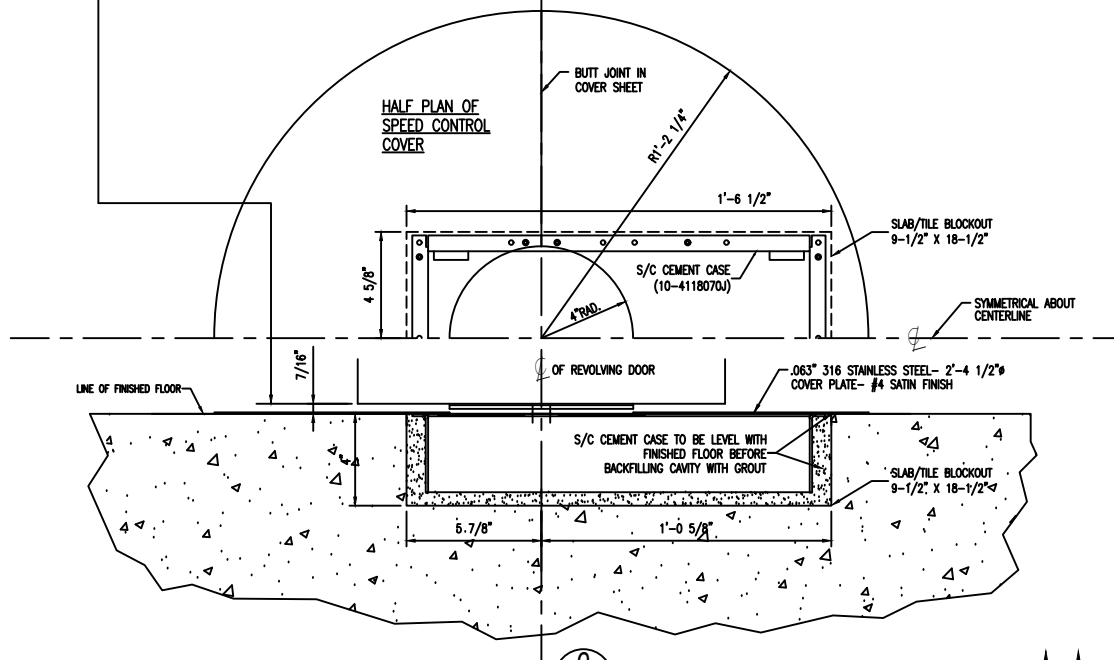
INTERIOR

PLAN AT 4/12



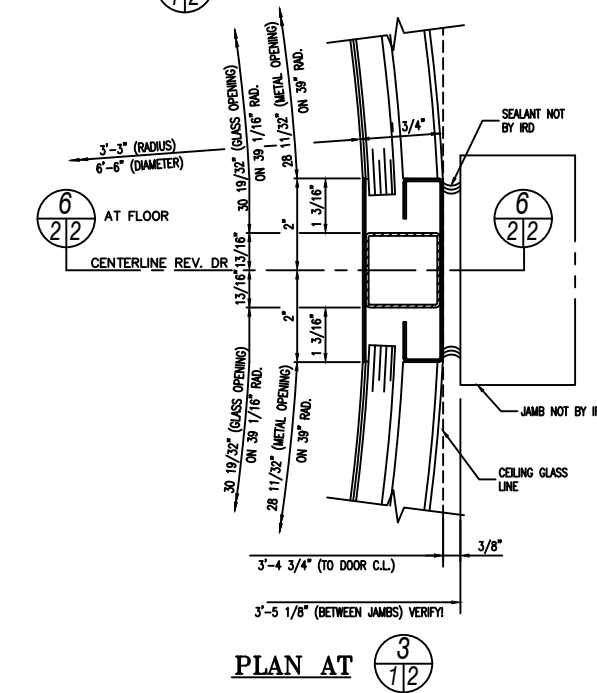
SECTION THRU WING (TYPICAL) PUSHBAR NOT SHOWN

SECTION AT 5/12

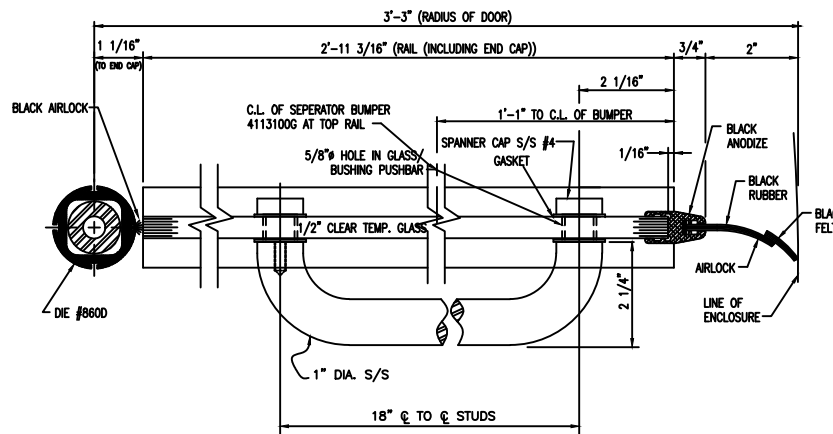


SECTION AT 9/12

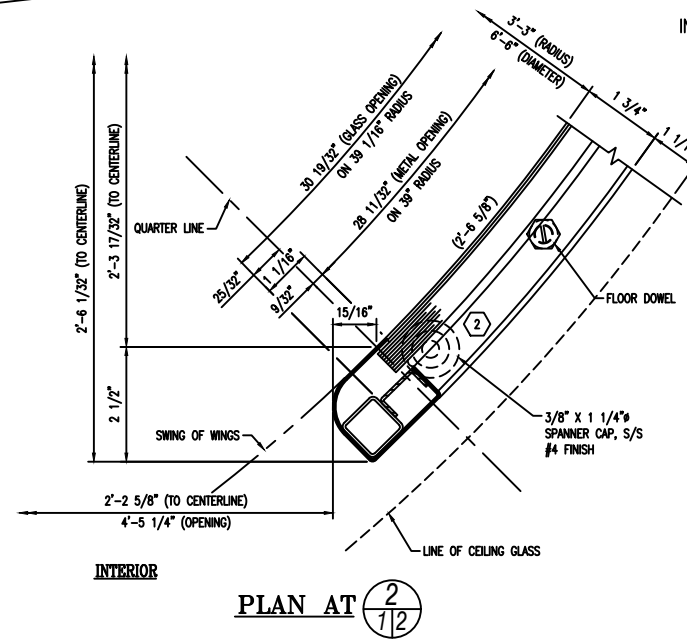
SCALE: 1/4"=1'



PLAN AT 3/12



PLAN OF WING HARDWARE TYPE: SLIMLINE FLOOR SPEED CONTROL



INTERIOR

PLAN AT 2/12

**JOB NOTES**

GLAZING			
WINGS, REVOLVING DOOR	GLAZE AT:	JOB: <input type="checkbox"/>	SHOP: <input checked="" type="checkbox"/>
	GLASS BY:	INT'L: <input checked="" type="checkbox"/>	OTHERS: <input type="checkbox"/>
WALLS, REVOLVING DOOR			
GLAZE AT JOB	GLASS BY:	INT'L: <input checked="" type="checkbox"/>	OTHERS: <input type="checkbox"/>
ELECTRIC WIRING AND FIXTURES TO BE FURNISHED BY OTHERS UNLESS SPECIFIED "BY INT'L" ON THIS DRAWING. RECESS IN FLOOR FOR FLOOR CHECKS, SPEED CONTROL, ETC., TO BE FURNISHED BY OTHERS.			
LOCK CYLINDERS *			
STANDARD: <input type="checkbox"/>	MASTER KEYED: <input type="checkbox"/>		
BY INT'L: <input checked="" type="checkbox"/>	BY OTHERS: <input type="checkbox"/>		

INTERIOR QUARTER LINE LOCKING

EXTERIOR MARK WING NUMBERS AS SHOWN

DATE	LOC. KEY	DESCRIPTION	BY		
REVISIONS					
WE ASSUME NO RESPONSIBILITY AS TO MEASUREMENTS OR DETAILS AFFECTING ANY WORK BUT OUR OWN AND ARE NOT RESPONSIBLE FOR ANY ERRORS OCCURRING THRU THE USE OF THIS DRAWING BY OTHER PARTIES.					
PRINTS ISSUED					
NO.	KEY	DATE	NO.	KEY	DATE
KEY EXPLANATION					
AP.	-	APPROVAL	ER.	-	ERECTION
F.A.	-	FINAL APPROVAL	RI.	-	REQUEST
DS.	-	DISTRIBUTION	R.R.	-	REPR. REFERENCE
S.I.	-	SHOP INSPECTION			

**INTERNATIONAL REVOLVING DOOR COMPANY**  
**IRD GROUP, INC.**  
 2138 N. 30TH AVENUE, EVANSVILLE, INDIANA 47710-2893  
 PH: 812-428-3311 FAX: 812-428-2862 TEL: 800-743-4726  
 EMAIL: INFO@INTLENTRANCE.COM WWW.INTLENTRANCE.COM

JOB: STOCK DESIGN  
 LOCATION: -  
 CONTACT: -  
 ENTRANCE: -  
 ARCHITECT: -

MATERIAL	DETAIL SYMBOL
WINGS - S/S CLAD OVER ALUM. EXTRUSION	
WALLS - S/S CLAD OVER S/S TUBE	
CEILING - 13/16" LAMINATED SAFETY GLASS	
ROOF - N/A	
FINISH: #4 SATIN S/S	
MODEL: COMET - 4-WING - MANUAL - FLOOR	

THIS CAD DRAWING IN DESIGN AND DETAIL IS THE PROPERTY OF THE INTERNATIONAL REVOLVING DOOR CO. OF EVANSVILLE, INDIANA AND MUST NOT BE SHOWN, COPIED, REPRODUCED, LOANED OR OTHERWISE DISPOSED OF DIRECTLY OR INDIRECTLY, AND SHALL BE USED ONLY IN CONNECTION WITH ESTIMATES AND WORK OF THIS COMPANY. ALL RIGHTS OF INVENTION ARE RESERVED. THIS DRAWING MUST BE RETURNED WHEN REQUESTED.

DRAWN:	DATE:	DOOR NO.:
-	-	-
CHECKED:	DATE:	DRAWING NO.:
-	-	-
SCALE:	NTS	ORDER NO.:
SHEET 2 OF 2		