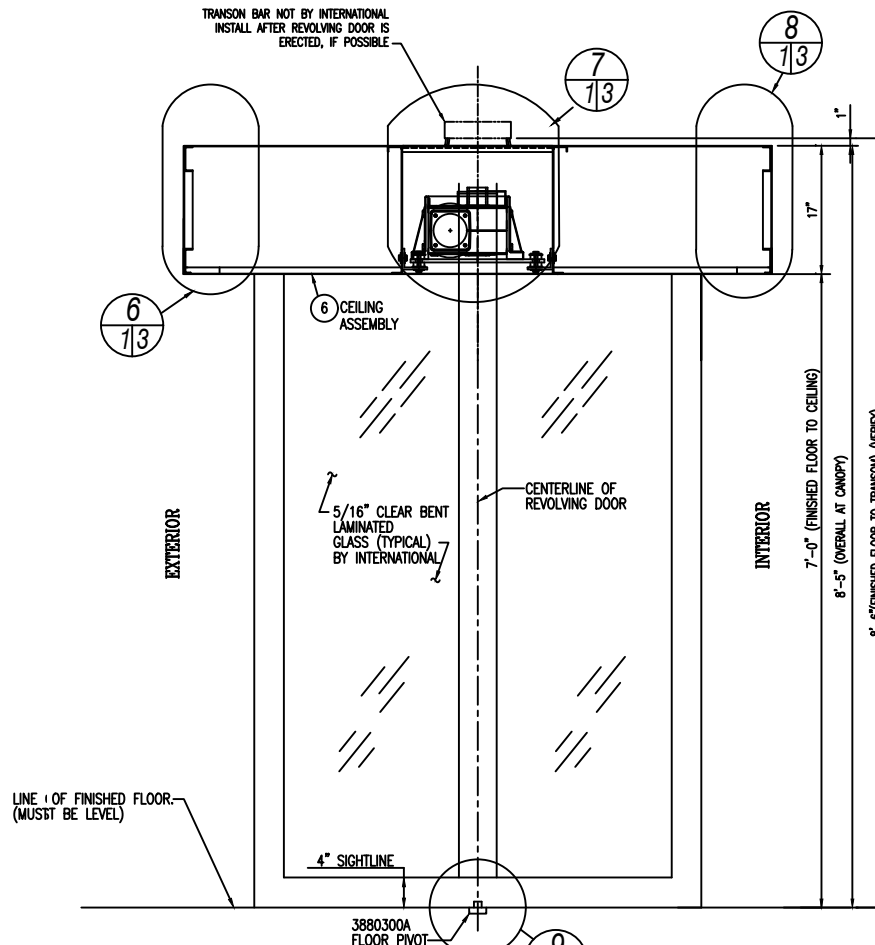
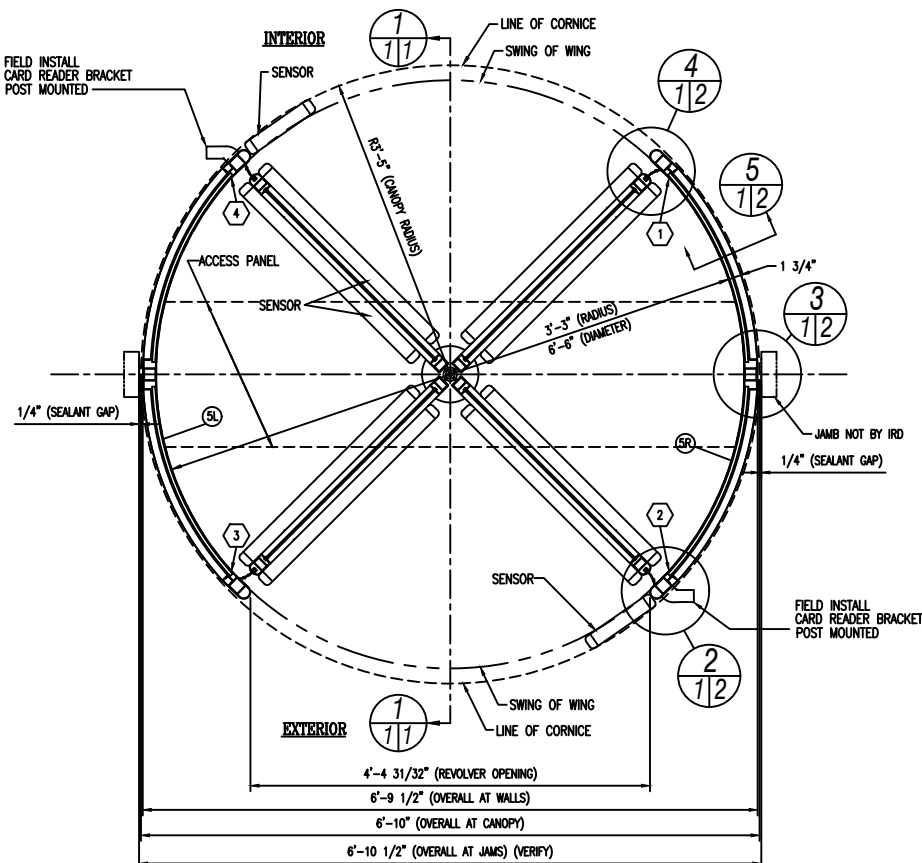


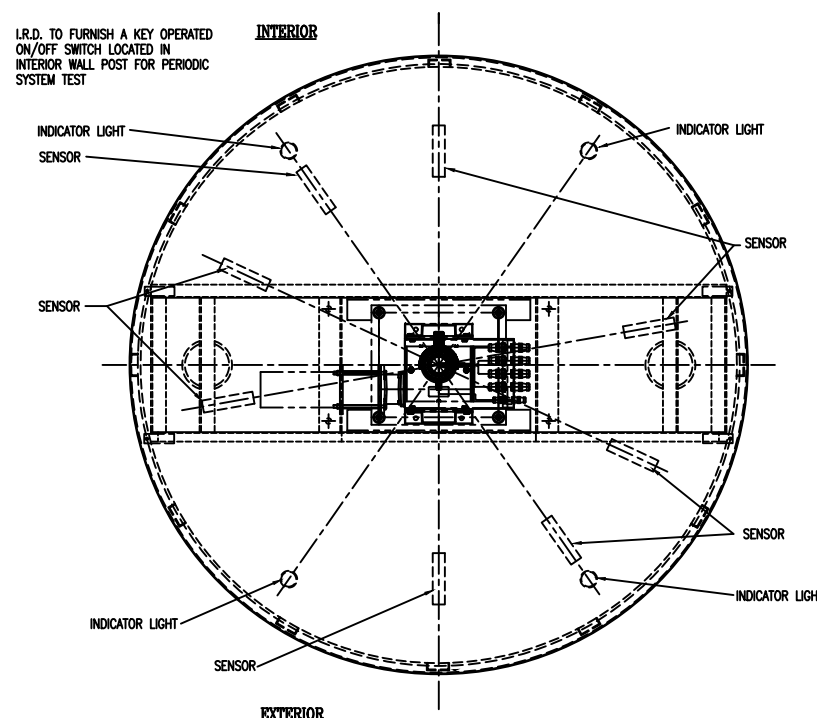
**EXTERIOR ELEVATION**  
(CONNECTION NOT SHOWN)



**SECTION AT 1/1**  
(WINGS NOT SHOWN)



**PLAN VIEW**



**PLAN VIEW AT TOP OF CANOPY**

- ERECTION PROCEDURE**
- LAY OUT ENTRANCE ON FLOOR. FINISH FLOOR MUST BE LEVEL.
  - SET ENCLOSURE WALLS UP IN PLACE. PLUMB AND LEVEL. VERIFY THAT WALLS ARE TO CORRECT RADIUS BY COMPARING TO FLOOR LAYOUT.
  - MARK FLOOR FOR DOWEL LOCATIONS.
  - REMOVE WALLS, DRILL FLOOR FOR DOWELS. REPLACE WALLS AND DOWEL TO FLOOR.
  - PLACE AND SECURE CEILING TO WALLS. PLUMB AND LEVEL ASSEMBLY AND TIE TO SURROUNDING WORK.
  - INSTALL MOUNTING ANGLES TO JOIST. ATTACH LOOSELY 3/8" x 14" x 20" ALUM. PLATE TO ANGLES USING ISOLATOR MOUNTS.
  - USING PLUMB BOB PLUG IN GEAR MOUNTING PLATE SHAFT OPENING ALIGN MOUNTING PLATE WITH CENTER OF DOOR INDICATED ON FLOOR LAYOUT. TIGHTEN MOUNTING PLATE DOWN. SET FLOOR PIVOT IN EXACT CENTER, LEVEL WITH LEVELING SCREWS. FILL RECESS WITH QUICK-SET CEMENT.
  - REMOVE PLUMB LINE PLUG AND INSERT GEAR REDUCER SEE SPEED CONTROL SHEET FOR ASSEMBLY OF GEAR BOX AND COMPONENTS.
  - INSTALL CARRIER ARM, STUB SHAFT, WIRING SLEEVE, ETC. SEE CARRIER ARM SHEET FOR ASSEMBLY OF ARM AND COMPONENTS.
  - APPLY LITHIUM MP GREASE TO TOP OF FLOOR PIVOT, BORE, AND TOP OF STUB SHAFT.
  - PLACE CENTERSHAFT IN POSITION IN FLOOR PIVOT. CONNECT WIRES FROM SLIPRING THRU STUB SHAFT TO TOP OF CENTERSHAFT. ATTACH CENTERSHAFT TO STUB SHAFT WITH (8) 1/2"-13 x 1 3/4" SOCKET HEAD SCREWS WITH #8 .063 x 8" DIAMETER PLATE BETWEEN CENTERSHAFT AND STUB SHAFT. CONFIRM THAT BOTTOM PIVOT PIN IS LOCKED DOWN AND ENGAGED INTO FLOOR PIVOT. SHIM TO PROPER HEIGHT. SEE SHEET #5.
  - CONNECT CABLES FROM CONTROL BOX TO MOTOR, SPEAKERS, CARD READER, AND CORNICE MOTION SENSORS.
  - INSTALL WINGS.
  - GLAZE WALLS. (SEE INSTRUCTION SHEET)
  - INSTALL ROOF AND SEAL, IF REQUIRED.
  - GO THRU START-UP AND MAINTANCE SECTION IN DOOR MANUAL.

**NOTE!**  
FINISHED FLOOR UNDER REVOLVING DOOR IS THE FINAL WALK-ON FLOOR.

FLOOR COVERINGS SUCH AS CARPET, TILE, LINOLEUM, TERRAZO, RUBBER MAT, ETC. CANNOT BE ADDED TO THE FINISHED FLOOR INSIDE THE DRUM AFTER THE REVOLVING DOOR IS ERECTED, UNLESS CLEARANCE HAS BEEN ADDED TO BOTTOM OF WINGS AND DRUM IN THE SHOP. REVOLVING DOOR WALLS MUST BE SET ON SOLID MATERIAL. (NOT RUBBER MAT, CARPET, OR OTHER RESILIENT MATERIAL.)

**NOTE!**  
REVOLVING DOOR IS NOT FREE STANDING AND REQUIRES A TRANSOM BAR TO HOLD REVOLVING DOOR PLUMB AND SECURE.

**NOTE!**  
ACCESS TO SPACE ABOVE SPEED CONTROL MUST BE FURNISHED AND REMAIN AVAILABLE FOR SERVICE AND ADJUSTMENT. ACCESS TO THIS SPACE TO BE FURNISHED BY INTERNATIONAL THROUGH REVOLVING DOOR CEILING.

**NOTE!**  
120V A.C. 50-60 HZ 20 AMP DEDICATED POWER SOURCE REQUIRED FOR AUTOMATIC CONTROLS. A RECEPTACLE CAN BE LOCATED WITHIN 4 FEET OF THE CONTROL BOX OR A CONDUIT ROUTED TO THE CONTROL BOX.

**I.R.D. STRONGLY RECOMMENDS THE DOOR BE POWERED THROUGH AN UNINTERRUPTIBLE POWER SUPPLY (UPS). I.R.D. DOES NOT SUPPLY OR INSTALL THE UPS.**

**NOTE!**  
NUMBER APPEARING IN ○ ARE FOR ERECTION ONLY. POSTS AND CEILING ARE MATCHMARKED IN SHOP.

**NOTE!**  
ALL STEEL REINFORCING TO BE COATED WITH RUST PROHIBITING PAINT.

**NOTE!**  
WINGS ARE EQUIPPED WITH EMERGENCY COLLAPSIBLE MECHANISM.

**NOTE!**  
CONNECTING WORK TO BE DESIGNED TO BRACE & HOLD REV. DOOR SECURELY IN POSITION.

**NOTE!**  
THIS ORDER WILL NOT BE FABRICATED UNTIL:  
1. SHOP DRAWINGS ARE RECEIVED MARKED "APPROVED FOR FABRICATION" BY THE GENERAL CONTRACTOR OR OTHER RESPONSIBLE PARTY,  
2. FINISH SAMPLE IS RECEIVED MARKED "APPROVED".

"APPROVED FOR DESIGN ONLY" DOES NOT CONSTITUTE SUFFICIENT APPROVAL TO ALLOW FABRICATION TO PROCEED.

INTERNATIONAL STEEL COMPANY WILL NOT BE RESPONSIBLE FOR VERIFICATION OF FIELD DIMENSIONS OR COORDINATION OF DRAWINGS AND DIMENSIONS OF WORK FURNISHED BY OTHER TRADES.

**NOTE!**  
INTERNATIONAL DOES NOT RECOMMEND THE FOLLOWING TYPES OF FLOORS: SLICK, GLASSY FLOORS WHICH MAY CAUSE PEDESTRIAN TO SLIP AND POSSIBLY FALL WHILE PASSING THROUGH REVOLVING DOOR UNIT; FLOOR GRILLS WHICH WILL ALLOW AIR INFILTRATION.

FLOORING WITH A GLOSSY OR HIGHLY POLISHED FINISH SHOULD BE AVOIDED IN AND AROUND SECURITY AND AUTOMATIC REVOLVING DOORS. THESE FLOORING SURFACES CAN REFLECT LIGHT INTO THE INFRARED SENSOR USED IN THE DOOR, CAUSING FALSE ACTIVATIONS. IF MATERIALS SUCH AS MARBLE, POLISHED TILE OR POLISHED TERRAZO ARE USED THE SURFACE SHOULD BE DEGLOSSED. GRATING OR GRILLS THAT ALLOW WATER TO COLLECT IN OR UNDERNEATH THE FLOOR SURFACE SHOULD NOT BE USED IN AND AROUND THE DOOR. BARE METAL TRIM IN THE FLOORING MATERIAL SHOULD ALSO BE AVOIDED.

**NOTE!**  
ELECTROMAGNETIC WINGLOCKS HOLD THE WINGS SECURELY IN PLACE DURING NORMAL OPERATION OF THE DOOR. DURING A FIRE THESE WINGLOCKS NEED TO DE-ENERGIZE SO THE WINGS CAN BE COLLAPSED TO ALLOW EGRESS. A SIGNAL FROM THE FIRE ALARM SYSTEM MUST BE ROUTED TO THE DOOR TO DE-ENERGIZE THE WINGLOCKS. THIS SIGNAL SHOULD BE FROM A NORMALLY CLOSED "DRY" RELAY CONTACT THAT OPENS WHEN A FIRE IS DETECTED.

**JOB NOTES**

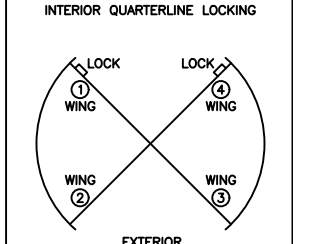
GLAZING		
WINGS, REVOLVING DOOR		
GLAZE AT:	JOB: <input type="checkbox"/>	SHOP: <input checked="" type="checkbox"/>
GLASS BY:	INT'L: <input checked="" type="checkbox"/>	OTHERS: <input type="checkbox"/>

WALLS, REVOLVING DOOR		
GLAZE AT JOB		
GLASS BY:	INT'L: <input checked="" type="checkbox"/>	OTHERS: <input type="checkbox"/>

ELECTRIC WIRING AND FIXTURES TO BE FURNISHED BY OTHERS UNLESS SPECIFIED "BY INT'L" ON THIS DRAWING. RECESS IN FLOOR FOR FLOOR CHECKS. SPEED CONTROL, ETC., TO BE FURNISHED BY OTHERS.

**LOCK CYLINDERS \***

STANDARD: <input checked="" type="checkbox"/>	MASTER KEYED: <input type="checkbox"/>
BY INT'L: <input checked="" type="checkbox"/>	BY OTHERS: <input type="checkbox"/>



MARK WING NUMBERS AS SHOWN  
(8) REV. DOOR PER THESE DETAILS

DATE	LOC. KEY	DESCRIPTION	BY
REVISIONS			

WE ASSUME NO RESPONSIBILITY AS TO MEASUREMENTS OR DETAILS AFFECTING ANY WORK BUT OUR OWN AND ARE NOT RESPONSIBLE FOR ANY ERRORS OCCURRING THRU THE USE OF THIS DRAWING BY OTHER PARTIES.

**PRINTS ISSUED**

NO.	KEY	DATE	NO.	KEY	DATE

**KEY EXPLANATION**

AP. - APPROVAL	ER. - ERECTION
FA. - FINAL APPROVAL	RT. - REQUEST
DB. - DISTRIBUTION	R.R. - REPR. REFERENCE
S.I. - SHOP INSPECTION	

(6'-6" x 7'-0" TALL)

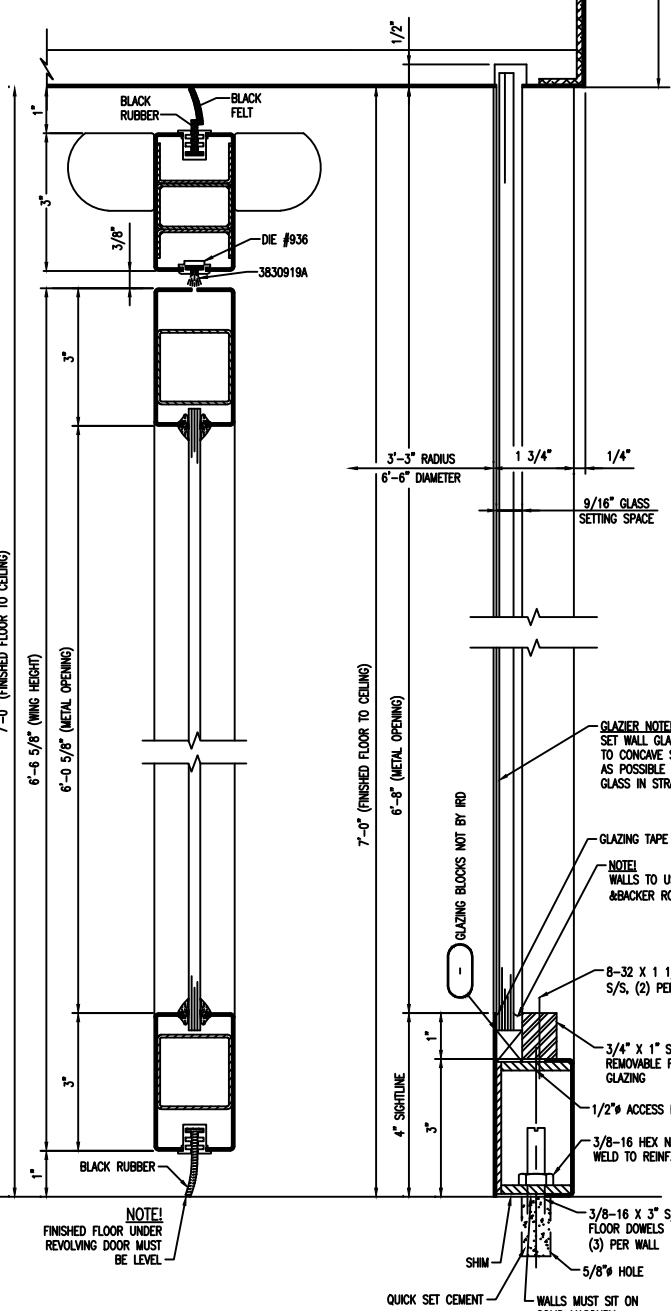
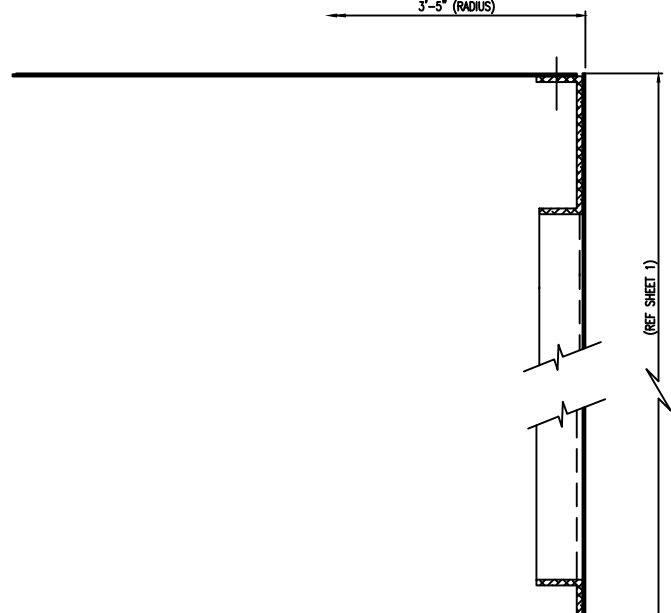
**INTERNATIONAL REVOLVING DOOR COMPANY**  
**IRD GROUP, INC.**  
2138 N. SIXTH AVENUE, EVANSVILLE, INDIANA 47710-2895  
PH: 812-425-3311 FAX: 812-426-2882 TEL: 800-745-4726  
EMAIL: INFO@INTLENTRANCE.COM WWW.INTLENTRANCE.COM

JOB: PHOENIX SECURITY DOOR STAINLESS  
LOCATION: EVANSVILLE, IN  
CONTACT: -  
ENTRANCE: -  
ARCHITECT: -

<b>DETAIL SYMBOL</b>	<b>MATERIAL</b>	WINGS: 0.063" S/S WALLS: 0.063" S/S CEILING - 0.063" S/S ROOF - 0.063" ALUMINUM
	<b>FINISH</b>	S/S (#4 SATIN)
<b>MODEL:</b>		PHOENIX-4 WING- HIGH SECURITY

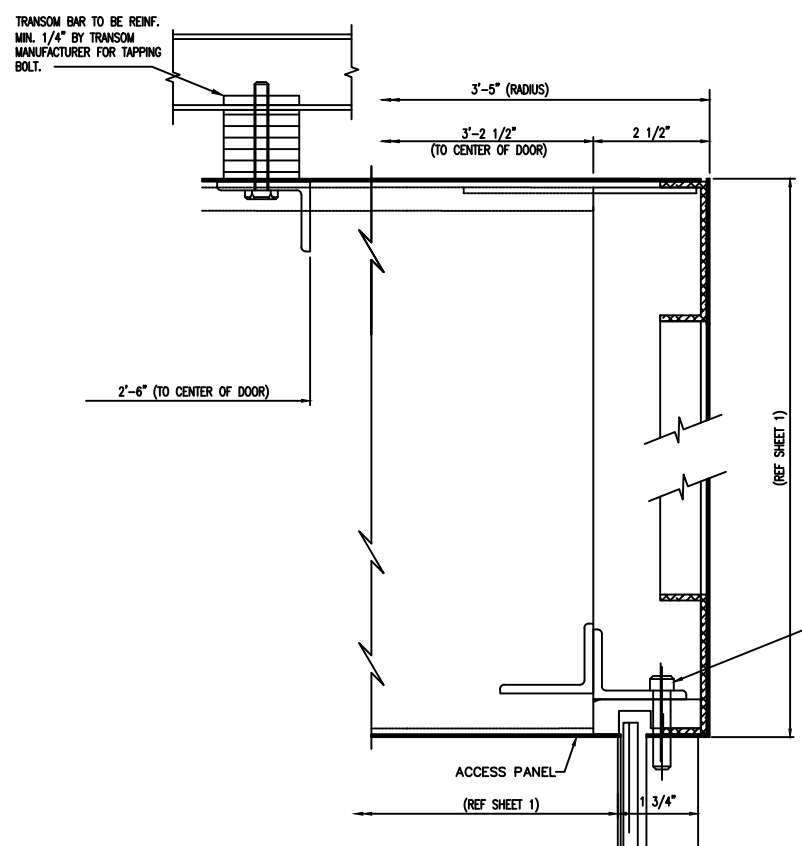
THIS CAD DRAWING IN DESIGN AND DETAIL IS THE PROPERTY OF THE INTERNATIONAL REVOLVING DOOR CO. OF EVANSVILLE, INDIANA AND MUST NOT BE SHOWN, COPIED, REPRODUCED, LOANED OR OTHERWISE DISPOSED OF DIRECTLY OR INDIRECTLY, AND SHALL BE USED ONLY IN CONNECTION WITH ESTIMATES AND WORK OF THIS COMPANY. ALL RIGHTS OF INVENTION ARE RESERVED. THIS DRAWING MUST BE RETURNED WHEN REQUESTED.

DRAWN: IRD	DATE: 4/4/17	DOOR NO: N/A
CHECKED: -	DATE: -	DRAWING NO: STOCK
SCALE: DNS	ORDER NO: <b>STOCK</b>	
SHEET 1 OF 3		

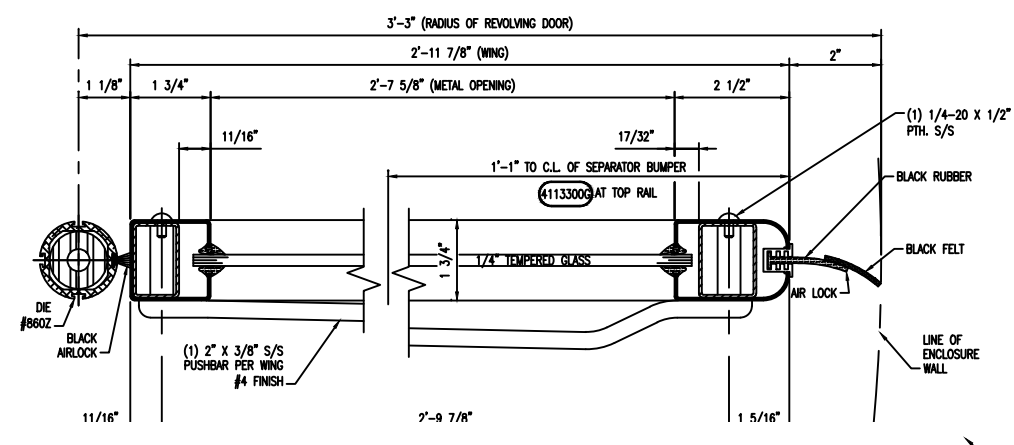


SECTION THRU WING (TYPICAL)

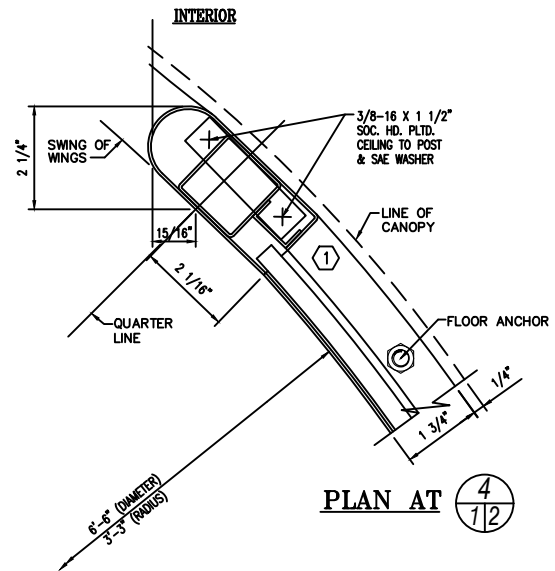
SECTION AT 5



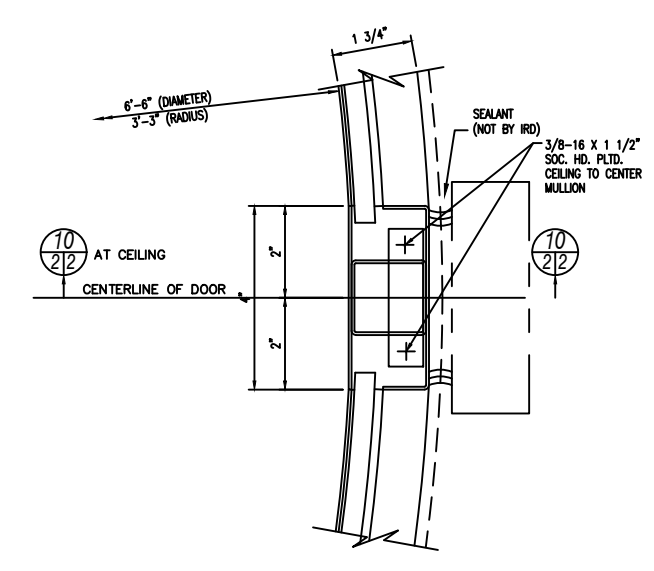
SECTION AT 10



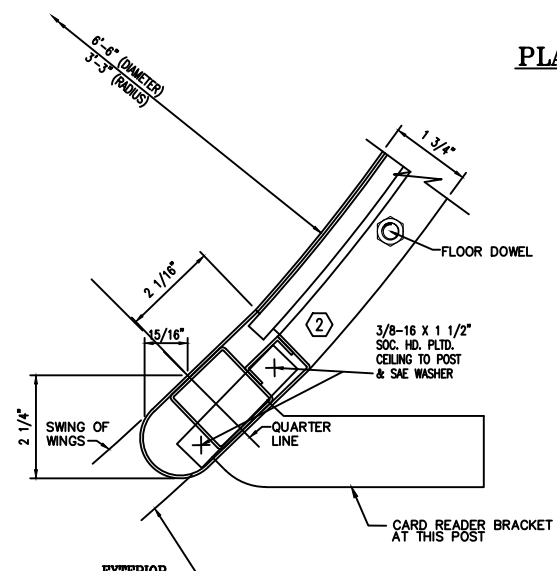
SECTION AT 2



PLAN AT 4



PLAN AT 3



PLAN AT 2

DATE	LOC.	KEY	DESCRIPTION	BY	
REVISIONS					
WE ASSUME NO RESPONSIBILITY AS TO MEASUREMENTS OR DETAILS AFFECTING ANY WORK BUT OUR OWN AND ARE NOT RESPONSIBLE FOR ANY ERRORS OCCURRING THRU THE USE OF THIS DRAWING BY OTHER PARTIES.					
PRINTS ISSUED					
NO.	KEY	DATE	NO.	KEY	DATE
KEY EXPLANATION					
AP.	-	APPROVAL	ER.	-	ERECTION
FA.	-	FINAL APPROVAL	RT.	-	REQUEST
DS.	-	DISTRIBUTION	R.R.	-	REPR. REFERENCE
S.I.	-	SHOP INSPECTION			

(6'-6" x 7'-0" TALL)

**INTERNATIONAL REVOLVING DOOR COMPANY**  
**IRD GROUP, INC.**  
 2138 N. SIXTH AVENUE, EVANSVILLE, INDIANA 47710-2895  
 PH: 812-425-3311 FAX: 812-425-2882 TEL: 800-745-4726  
 EMAIL: INFO@INTLDOOR.COM WWW.INTLDOOR.COM

JOB: -  
 LOCATION: -  
 CONTACT: -  
 ENTRANCE: -  
 ARCHITECT: -

MATERIAL	WING: SEE SHEET 1
	WALLS: SEE SHEET 1
	CEILING: SEE SHEET 1
	ROOF: SEE SHEET 1
	FINISH: SEE SHEET 1
DETAIL SYMBOL	MODEL: PHOENIX-4 WING- HIGH SECURITY

THIS CAD DRAWING IN DESIGN AND DETAIL IS THE PROPERTY OF THE INTERNATIONAL REVOLVING DOOR CO. OF EVANSVILLE, INDIANA AND MUST NOT BE SHOWN, COPIED, REPRODUCED, LOANED OR OTHERWISE DISPOSED OF DIRECTLY OR INDIRECTLY, AND SHALL BE USED ONLY IN CONNECTION WITH ESTIMATES AND WORK OF THIS COMPANY. ALL RIGHTS OF INVENTION ARE RESERVED. THIS DRAWING MUST BE RETURNED WHEN REQUESTED.

DRAWN: IRD	DATE: 4/4/17	DOOR NO: -
CHECKED: -	DATE: -	DRAWING NO: -
SCALE: 1:2		ORDER NO: -
SHEET 2 OF 3		

ERECTOR NOTE:  
SEAL EXTERIOR ROOF  
WITH G.E. SILPRUF  
SILICON SEALANT.

8-32x3/8" #6  
P.O.H. S/S

70) .063" ALUMINUM ROOF  
CLEAR ANODIZE

TRANSOM BAR NOT BY IRD TO BE  
INSTALLED AFTER REVOLVING DOOR IS  
ERECTED, IF POSSIBLE

7b) .063" ALUMINUM ROOF  
CLEAR ANODIZED

REF SHEET 1

7'-0" (FINISH FLOOR TO CEILING)

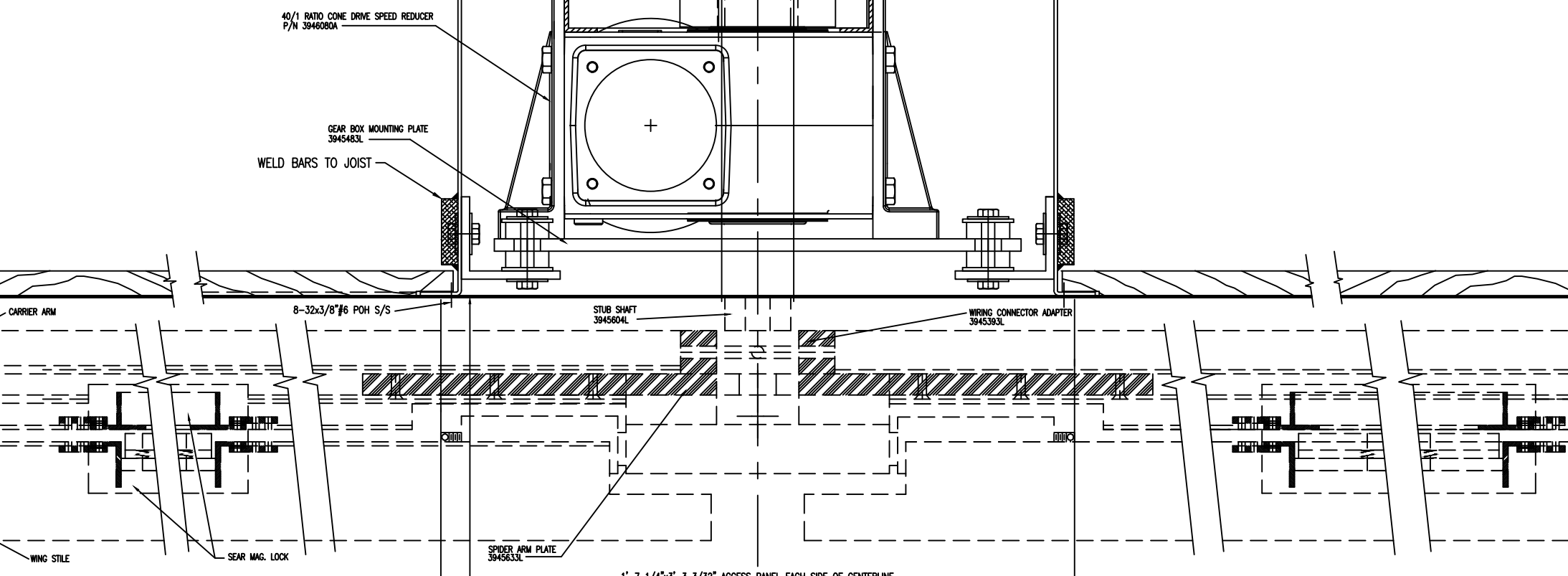
EXTERIOR

3'-5" (RADIUS)

SECTION AT  $\frac{6}{13}$

SECTION AT  $\frac{7}{13}$

SECTION AT  $\frac{8}{13}$



INTERIOR

DATE	LOC. KEY	DESCRIPTION	BY
REVISIONS			

WE ASSUME NO RESPONSIBILITY AS TO  
MEASUREMENTS OR DETAILS AFFECTING ANY WORK  
BUT OUR OWN AND ARE NOT RESPONSIBLE FOR  
ANY ERRORS OCCURING THRU THE USE OF THIS  
DRAWING BY OTHER PARTIES.

PRINTS ISSUED

NO.	KEY	DATE	NO.	KEY	DATE

KEY EXPLANATION

AP. - APPROVAL	ER. - ERECTION
FA. - FINAL APPROVAL	RT. - REQUEST
DS. - DISTRIBUTION	R.R. - REPR. REFERENCE
SI. - SHOP INSPECTION	

(6'-6" x 7'-0" TALL)

**INTERNATIONAL REVOLVING DOOR COMPANY**  
**IRD GROUP, INC.**

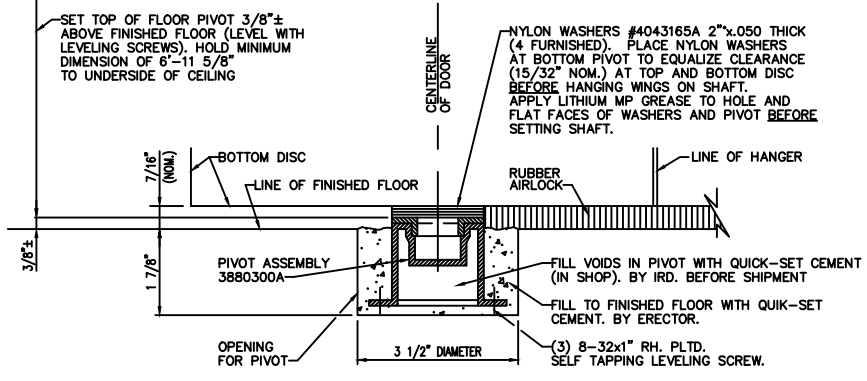
2138 N. SIXTH AVENUE, EVANSVILLE, INDIANA 47710-2895  
PH: 812-426-3311 FAX: 812-426-2892 TEL: 800-745-4726  
EMAIL: INFO@INTENTRANCE.COM WWW.INTENTRANCE.COM

JOB: -  
LOCATION: -  
CONTACT: -  
ENTRANCE: -  
ARCHITECT: -

MATERIAL	WINGS: SEE SHEET 1
WALLS: SEE SHEET 1	
CEILING: SEE SHEET 1	
ROOF: SEE SHEET 1	
FINISH: SEE SHEET 1	
MODEL: PHOENIX-4 WING- HIGH SECURITY	

THIS CAD DRAWING IN DESIGN AND DETAIL IS THE PROPERTY OF THE  
INTERNATIONAL REVOLVING DOOR CO. OF EVANSVILLE, INDIANA AND MUST  
NOT BE SHOWN, COPIED, REPRODUCED, LOANED OR OTHERWISE DISPOSED  
OF DIRECTLY OR INDIRECTLY, AND SHALL BE USED ONLY IN CONNECTION  
WITH ESTIMATES AND WORK OF THIS COMPANY. ALL RIGHTS OF INVENTION  
ARE RESERVED. THIS DRAWING MUST BE RETURNED WHEN REQUESTED.

DRAWN: IRD	DATE: 6/25/16	DOOR NO: -
CHECKED:	DATE:	DRAWING NO: -
SCALE: 1:2		ORDER NO: -
SHEET 3 OF 3		



SECTION AT  $\frac{9}{13}$