

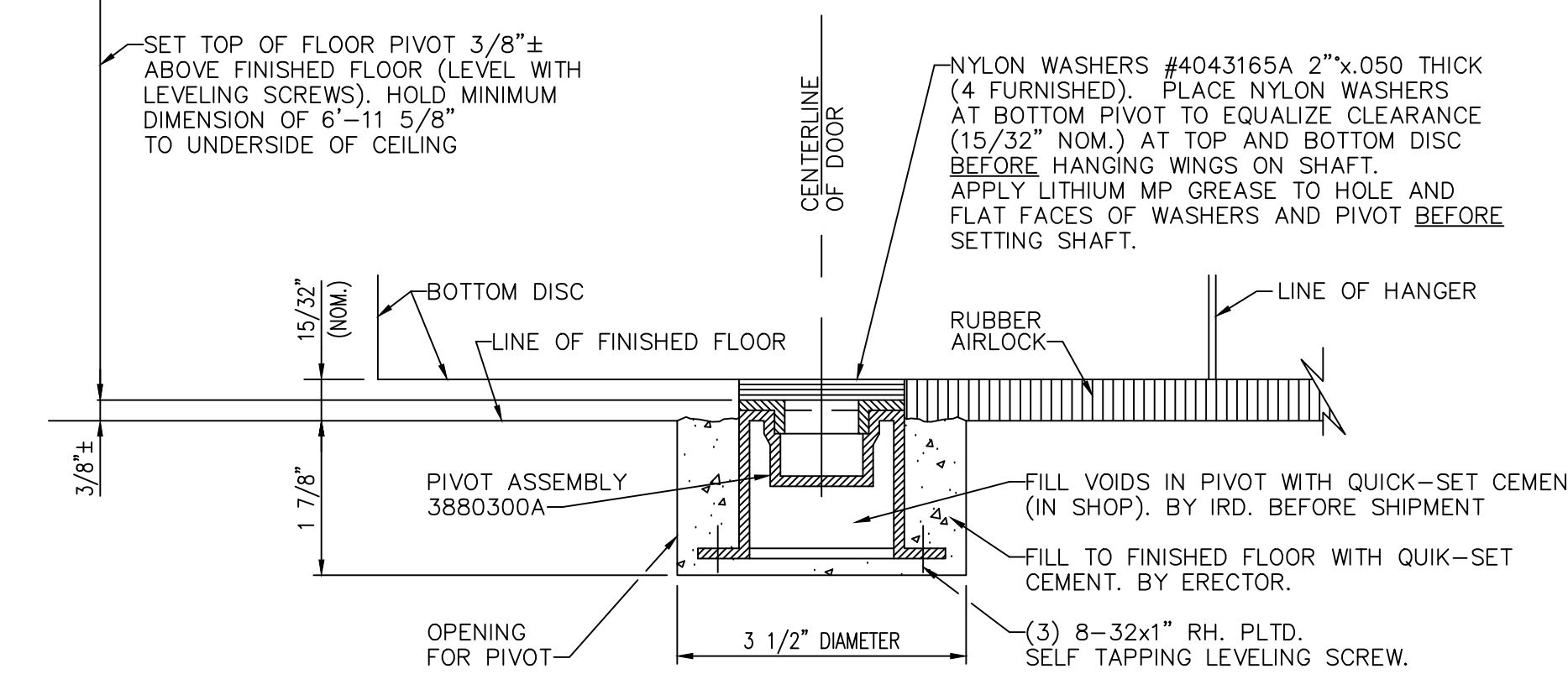
EXTERIOR

INTERIOR

SECTION AT $\frac{6}{13}$

SECTION AT $\frac{7}{13}$

SECTION AT $\frac{8}{13}$



SECTION AT $\frac{9}{13}$

DATE	LOC. KEY	DESCRIPTION	BY		
REVISIONS					
WE ASSUME NO RESPONSIBILITY AS TO MEASUREMENTS OR DETAILS AFFECTING ANY WORK BUT OUR OWN AND ARE NOT RESPONSIBLE FOR ANY ERRORS OCCURRING THRU THE USE OF THIS DRAWING BY OTHER PARTIES.					
PRINTS ISSUED					
NO.	KEY	DATE	NO.	KEY	DATE
KEY EXPLANATION					
AP.	-	APPROVAL	ER.	-	ERECTION
F.A.	-	FINAL APPROVAL	RT.	-	REQUEST
DS.	-	DISTRIBUTION	R.R.	-	REFR. REFERENCE
S.I.	-	SHOP INSPECTION			

(6'-6"ø x 7'-0" TALL)

INTERNATIONAL REVOLVING DOOR COMPANY
 2139 N. SIXTH AVENUE, EVANSVILLE, INDIANA 47710-2895
 PH: 812-425-3311 FAX: 812-426-2682 TEL: 800-745-4726
 INFO@INTERNATIONALREVOLVINGDOORS.COM WWW.INTERNATIONALREVOLVINGDOORS.COM

JOB: STOCK SATURN AUTOMATIC DOOR
 LOCATION: -
 CONTACT: -
 ENTRANCE: -
 ARCHITECT: -

DETAIL NUMBER	WINGS: ALUMINUM EXTRUSION
LOCATION	WALLS: ALUMINUM EXTRUSION
DETAIL SHEET	CEILING - 0.063" ALUMINUM
	ROOF - 0.063" ALUMINUM
DETAIL SYMBOL	FINISH: CLEAR ANODIZED
	MODEL: SDA-4 WING

THIS CAD DRAWING IN DESIGN AND DETAIL IS THE PROPERTY OF THE INTERNATIONAL REVOLVING DOOR CO. OF EVANSVILLE, INDIANA AND MUST NOT BE SHOWN, COPIED, REPRODUCED, LOANED OR OTHERWISE DISPOSED OF DIRECTLY OR INDIRECTLY, AND SHALL BE USED ONLY IN CONNECTION WITH ESTIMATES AND WORK OF THIS COMPANY. ALL RIGHTS OF INVENTION ARE RESERVED. THIS DRAWING MUST BE RETURNED WHEN REQUESTED.

DRAWN: -	DATE: -	DOOR NO: -
CHECKED: -	DATE: -	DRAWING NO: -
SCALE: DNS		ORDER NO: STOCK
SHEET 1 OF 3		