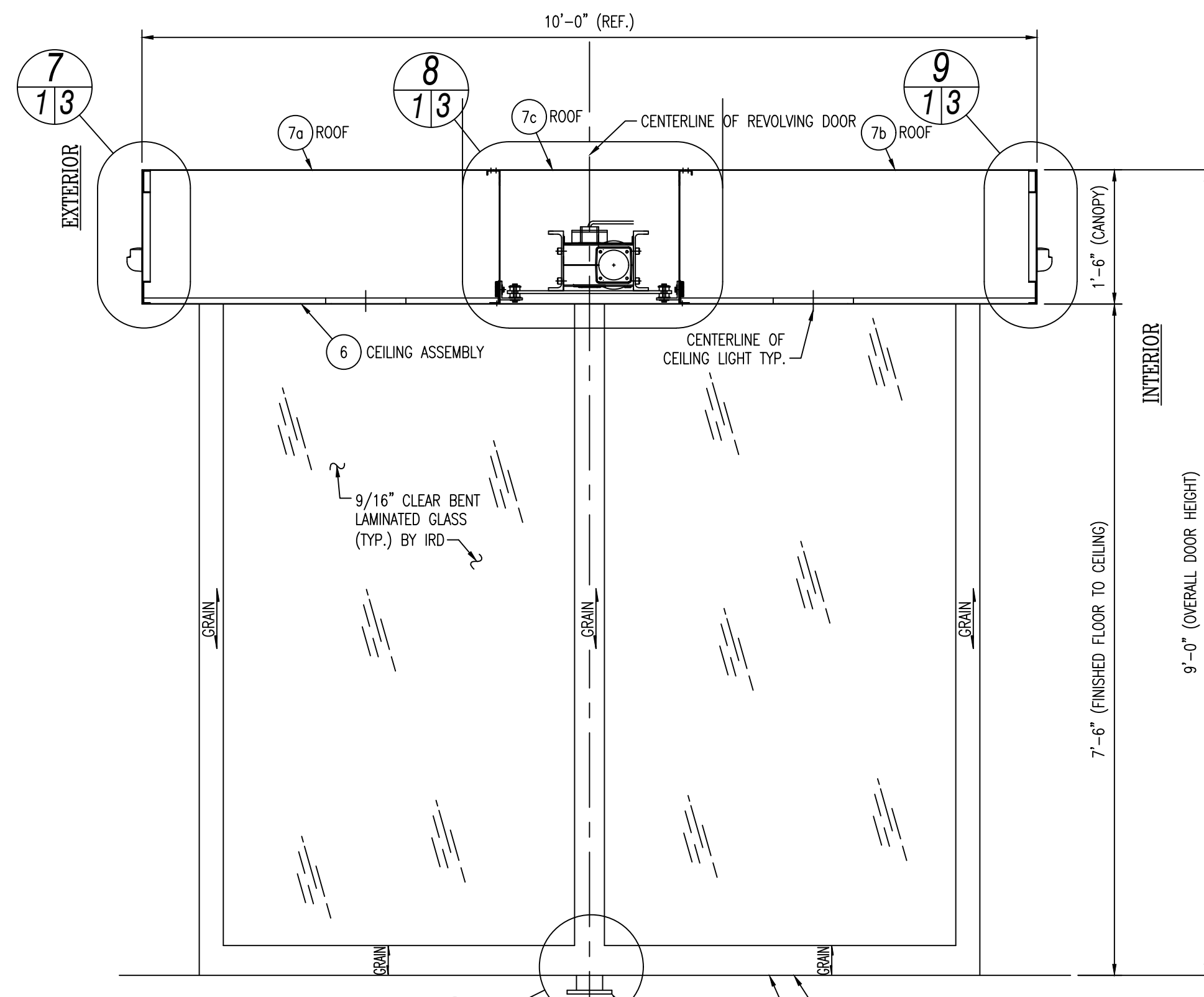


EXTERIOR ELEVATION

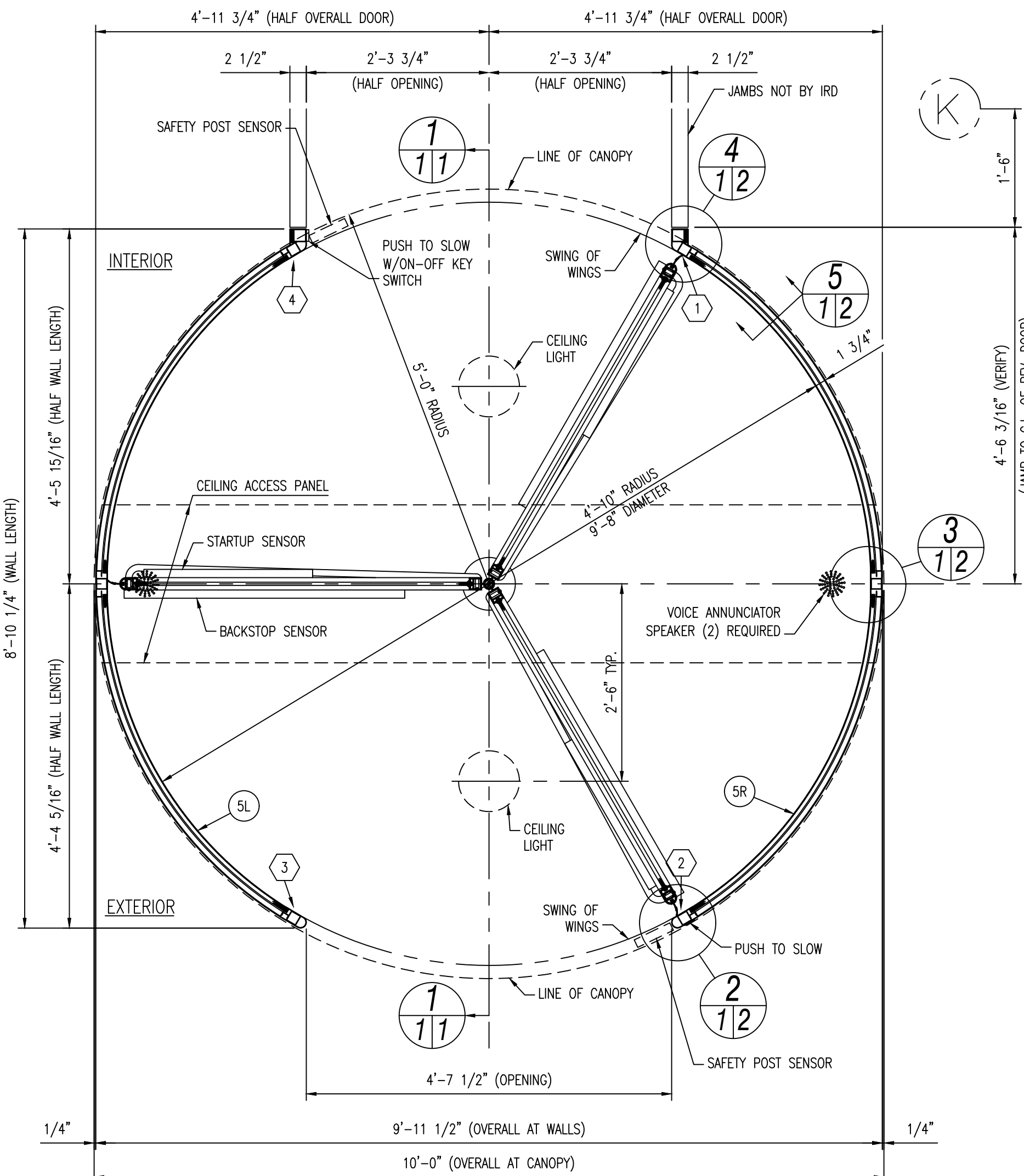


SECTION AT 7/13
(WINGS NOT SHOWN)

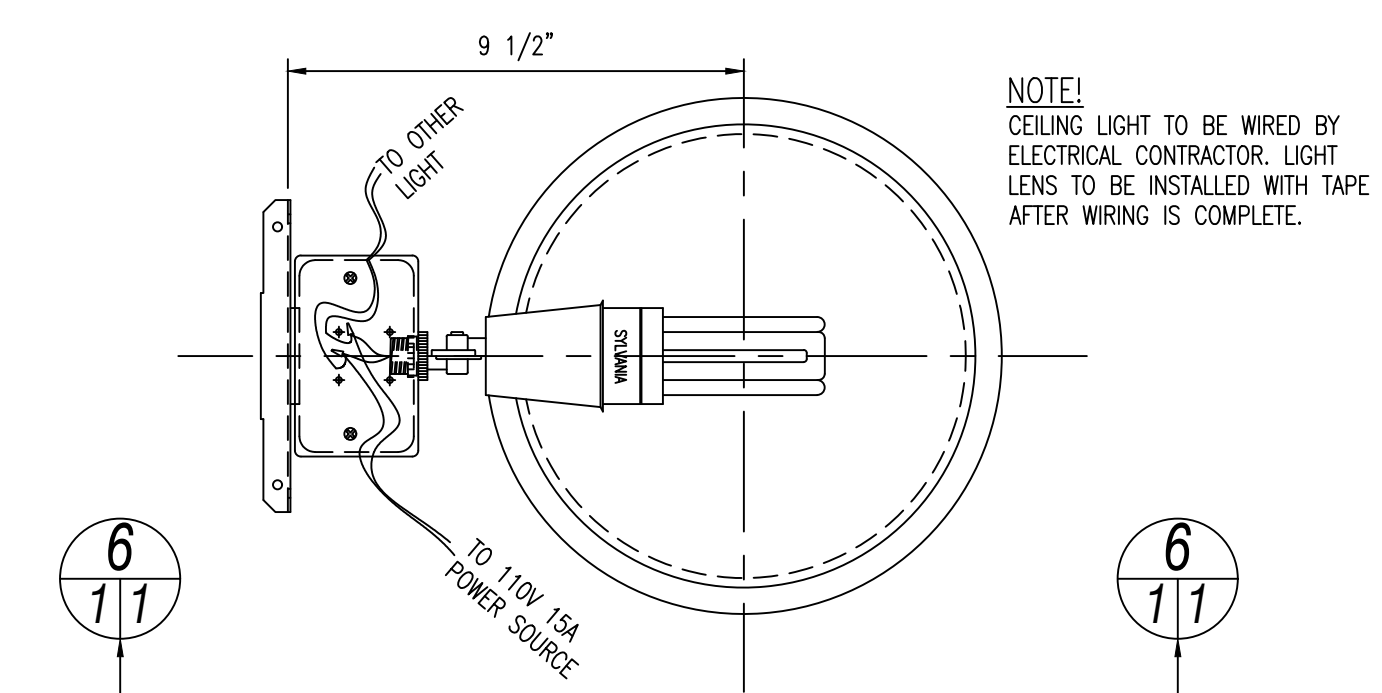
- ERECTION PROCEDURE**
- LAY OUT ENTRANCE ON FLOOR. FINISH FLOOR MUST BE LEVEL.
 - SET ENCLOSURE WALLS UP IN PLACE. PLUMB AND LEVEL. VERIFY THAT WALLS ARE TO CORRECT RADIUS BY COMPARING TO FLOOR LAYOUT.
 - MARK FLOOR FOR DOWEL LOCATIONS.
 - REMOVE WALLS, DRILL FLOOR FOR DOWELS.
 - PLACE CEILING SECTIONS, INTERIOR AND EXTERIOR INTO POSITION ON FLOOR AND BOLT TOGETHER.
 - REPLACE WALLS AND DOWEL TO FLOOR.
 - LOWER AND SECURE CEILING TO WALLS. PLUMB AND LEVEL ASSEMBLY AND TIE TO SURROUNDING WORK.
 - INSTALL MOUNTING ANGLES TO JOIST. ATTACH 3/8" x 15" x 21" ALUM. PLATE TO ANGLES USING ISOLATOR MOUNTS.
 - INSTALL BEARING CHANNEL IN CEILING. PLACE PLUMB LINE PLUG IN BEARING AND SHIM BEARING CHANNEL UNTIL PLUMB LINE IS IN EXACT CENTER OF ENCLOSURE.
 - LOWER PLUMB BOB TO FLOOR AND LOCATE CENTER OF DOOR AT FLOOR. SET FLOOR PIVOT IN EXACT CENTER, LEVEL WITH LEVELING SCREWS. FILL RECESS WITH QUICK-SET CEMENT.
 - REMOVE PLUMB LINE PLUG AND INSERT STUB SHAFT 9 INTO BEARING.
 - APPLY LITHIUM MP GREASE TO TOP OF FLOOR PIVOT AND IN BORE; ALSO TO TOP OF STUB SHAFT.
 - SEE SPEED CONTROL SHEET FOR ASSEMBLY OF GEAR BOX AND COMPONENTS.
 - PLACE CENTERSHAFT IN POSITION IN FLOOR PIVOT. CONNECT WIRES FROM SLIPRING THRU STUB SHAFT TO TOP OF CENTERSHAFT. ATTACH CENTERSHAFT TO STUB SHAFT WITH (6) 1/2-13 x 1 3/4 SOCKET HEAD SCREWS WITH #8 .063 x 8" DIAMETER PLATE BETWEEN CENTERSHAFT AND STUB SHAFT. CHECK BOTTOM PIVOT PIN TO BE LOCKED DOWN AND ENGAGED INTO FLOOR PIVOT. SHIM TO PROPER HEIGHT. SEE SHEET #3.
 - CONNECT CABLES FROM CONTROL BOX TO MOTOR, SPEAKERS, PUSH TO SLOW SWITCHES, AND CORNICE MOTION SENSORS.
 - INSTALL WINGS.
 - CEILING LIGHTS TO BE WIRED BY ELECTRICAL CONTRACTOR. (SEE DETAIL THIS SHEET.)
 - GLAZE WALLS. (SEE INSTRUCTION SHEET)
 - INSTALL LOCKKEEPERS. (SEE SHEET DETAIL THIS SHEET)
 - INSTALL ROOF AND SEAL, IF REQUIRED.

- NOTE!**
ACCESS TO SPACE ABOVE SPEED CONTROL MUST BE FURNISHED AND REMAIN AVAILABLE FOR SERVICE AND ADJUSTMENT.
ACCESS TO THIS SPACE TO BE FURNISHED BY IRD THRU REVOLVING DOOR CEILING.
- NOTE!**
110 V. AC CURRENT REQUIRED FOR CEILING LIGHTS. ENTRANCE COMPONENTS WILL BE PREPARED AT FACTORY FOR PASSAGE OF WIRE IF SOURCE AND/OR ROUTING IS VERIFIED ON APPROVED DRAWING.
- NOTE!**
NUMBERS APPEARING IN THE \varnothing ARE FOR ERECTION ONLY. POSTS AND CEILING ARE MATCHMARKED IN SHOP.
- NOTE!**
ALL STEEL REINFORCING TO BE COATED WITH RUST PROHIBITING PAINT.
- NOTE!**
WINGS ARE EQUIPPED WITH EMERGENCY COLLAPSIBLE MECHANISM.
- NOTE!**
CONNECTING WORK TO BE DESIGNED TO BRACE & HOLD REV. DOOR SECURELY IN POSITION.
- NOTE!**
THIS ORDER WILL NOT BE FABRICATED UNTIL:
1. SHOP DRAWINGS ARE RECEIVED MARKED "APPROVED FOR FABRICATION" BY THE GENERAL CONTRACTOR OR OTHER RESPONSIBLE PARTY.
2. FINISH SAMPLE IS RECEIVED MARKED "APPROVED".
- "APPROVED FOR DESIGN ONLY" DOES NOT CONSTITUTE SUFFICIENT APPROVAL TO ALLOW FABRICATION TO PROCEED.
- NOTE!**
INTERNATIONAL REVOLVING DOOR COMPANY WILL NOT BE RESPONSIBLE FOR VERIFICATION OF FIELD DIMENSIONS OR COORDINATION OF DRAWINGS AND DIMENSIONS OF WORK FURNISHED BY OTHER TRADES.
- NOTE!**
*CYLINDERS TO BE STANDARD 1 5/32" DIAMETER, 1" LENGTH (5-PIN) WITH STANDARD CAMS. SIMILAR TO ILOD UNICAM #F8-7165-YA-1-KA2. LONGER CYLINDERS WILL REQUIRE SPACING COLLARS.
- NOTE!**
REVOLVING DOOR IS NOT FREE STANDING AND REQUIRES TRANSOM BAR AND JAMBS TO STABILIZE AND HOLD REVOLVING DOOR PLUMB.
- NOTE!**
INTERNATIONAL REVOLVING DOOR DOES NOT RECOMMEND THE FOLLOWING TYPES OF FLOORS: SLICK, GLASSY FLOORS WHICH MAY CAUSE PEDESTRIAN TO SLIP AND POSSIBLY FALL, RUBBER MATS, AND FULL FLOOR GRILLS WHICH MAY ALLOW AIR INFILTRATION.

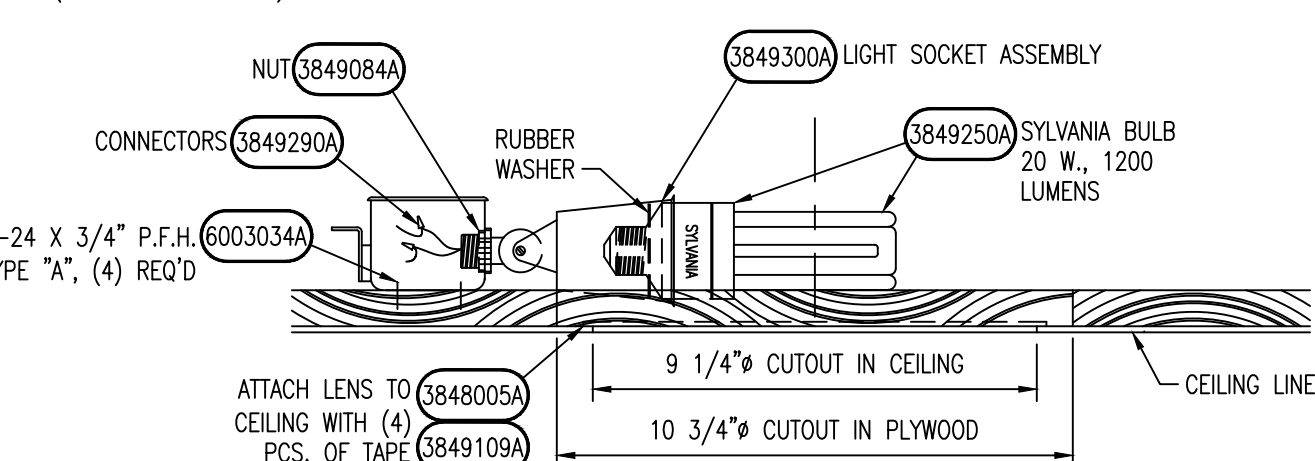
NOTE:
FINISHED FLOOR UNDER REVOLVING DOOR IS THE FINAL WALK-ON FLOOR. FLOOR COVERINGS LIKE CARPET, TILE, LINOLEUM, TERRAZO, RUBBER MAT, ETC. CANNOT BE ADDED TO THE FINISHED FLOOR INSIDE THE DRUM AFTER REVOLVING DOOR IS ERECTED UNLESS CLEARANCE HAS BEEN ADDED TO BOTTOM OF WINGS IN THE SHOP. REVOLVING DOOR WALLS MUST SET ON SOLID MATERIAL. (NOT ON RUBBER MAT, CARPET OR OTHER RESILIENT MATERIAL.)



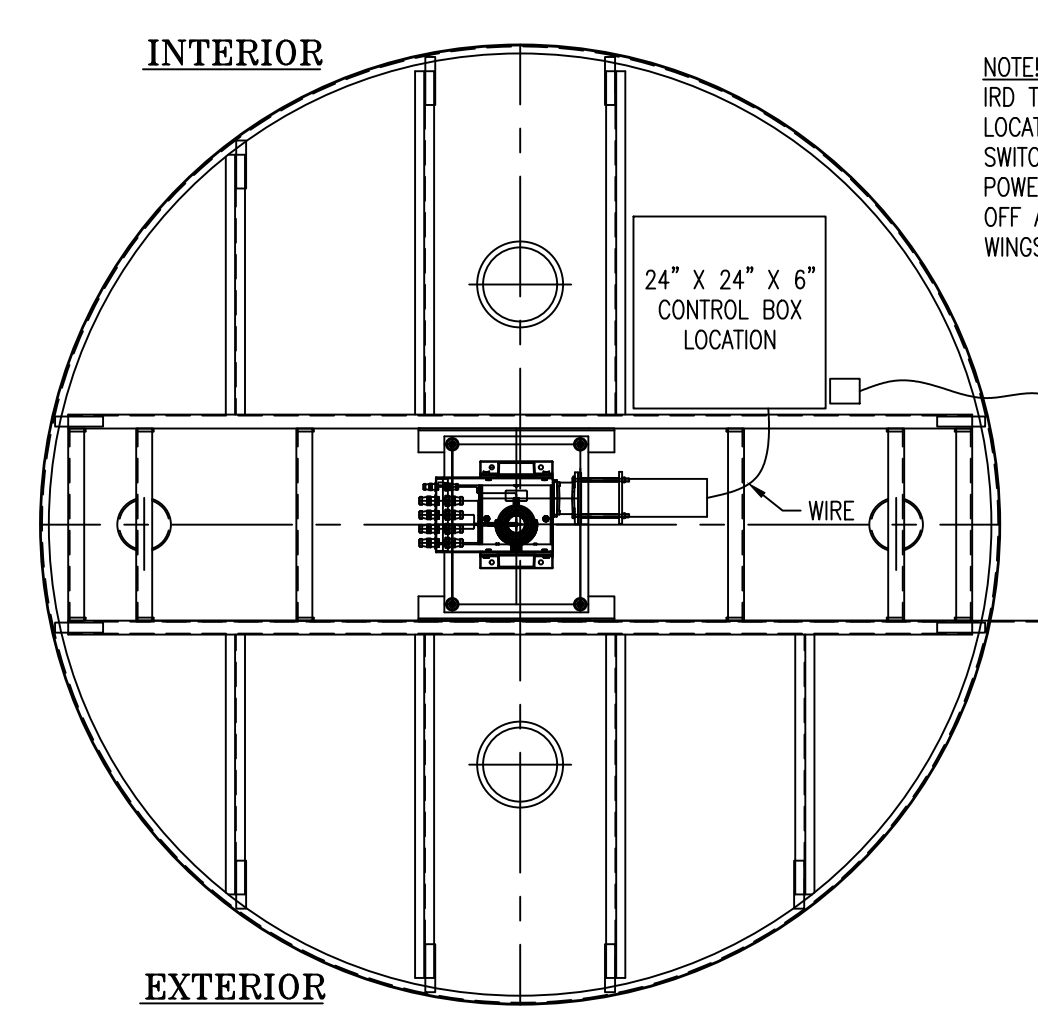
PLAN VIEW



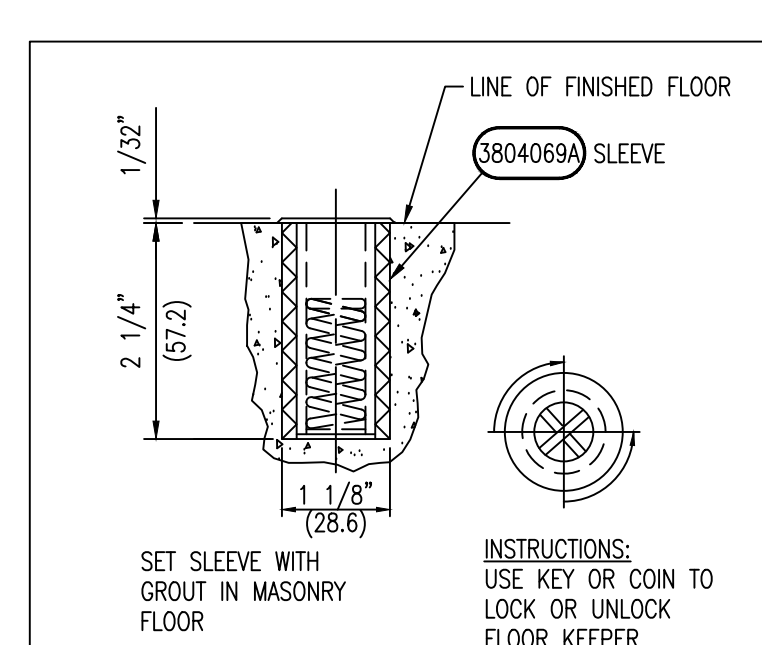
PLAN OF CEILING LIGHT FROM ABOVE
(ROOF REMOVED)



SECTION AT 6/11
SCALE = 1:4

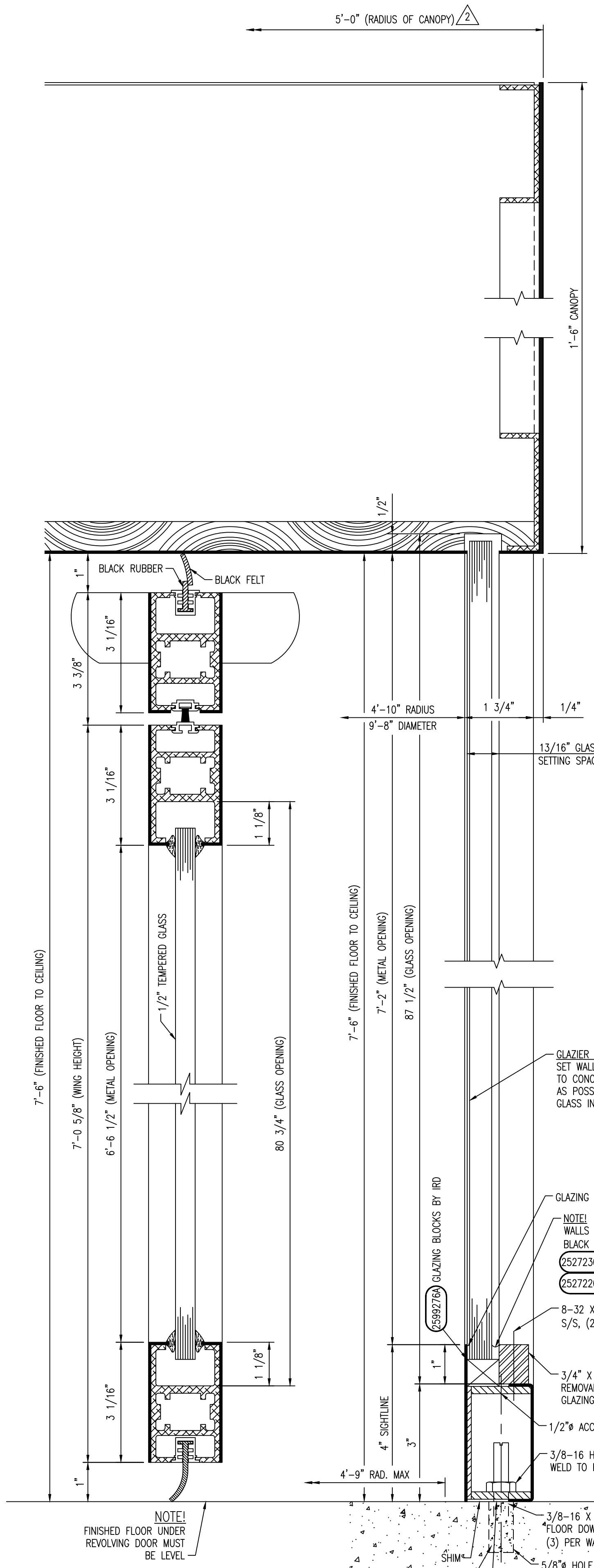


PLAN FROM ABOVE
(ROOF REMOVED)
SCALE = 1:24



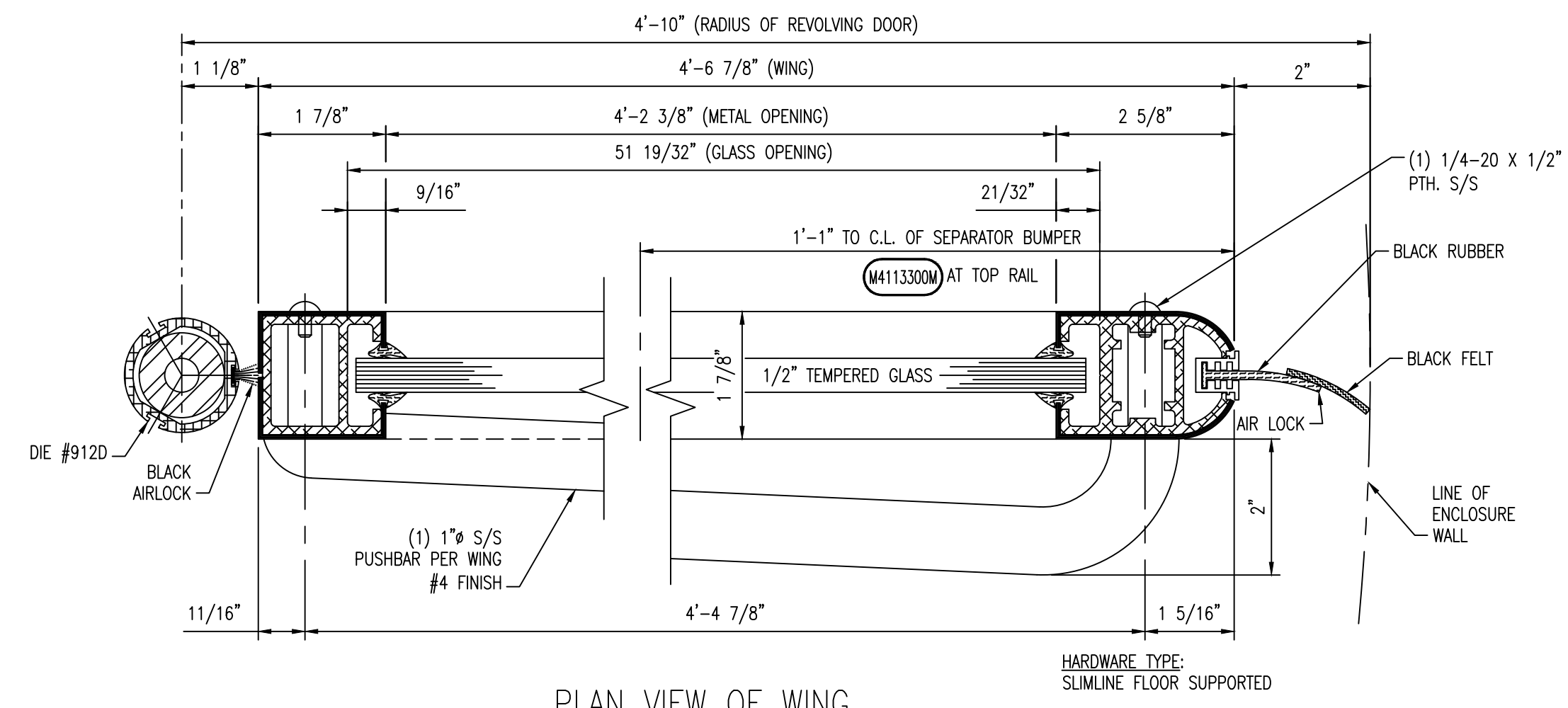
FLOOR KEEPER #3804122G
HEEL AND DUST PROOF

| JOB NOTES | | | | | | | | | | | | | | | | | | | | | | | | | | | | | | | | | | | | | | | | | | | | | | | | | | | | | | | |
|--|--|---|--------------|----------|----------|-------------|---|-------------------------------|---------------------------------|--|------------------|--|--|--|--|---------------|--|--|--|-----|-----|------|--------------|--|--|--|--|--|--|--|--|--|--|--|--|-----------------|--|--|--|---------------|---------------|--|--|-----------------------|--------------|--|--|-------------------|------------------------|--|--|------------------------|--|--|--|
| GLAZING | | | | | | | | | | | | | | | | | | | | | | | | | | | | | | | | | | | | | | | | | | | | | | | | | | | | | | | |
| WINGS, REVOLVING DOOR | | | | | | | | | | | | | | | | | | | | | | | | | | | | | | | | | | | | | | | | | | | | | | | | | | | | | | | |
| GLAZE AT: | JOB: <input type="checkbox"/> | SHOP: <input checked="" type="checkbox"/> | | | | | | | | | | | | | | | | | | | | | | | | | | | | | | | | | | | | | | | | | | | | | | | | | | | | | |
| GLASS BY: | INT'L: <input checked="" type="checkbox"/> | OTHERS: <input type="checkbox"/> | | | | | | | | | | | | | | | | | | | | | | | | | | | | | | | | | | | | | | | | | | | | | | | | | | | | | |
| WALLS, REVOLVING DOOR | | | | | | | | | | | | | | | | | | | | | | | | | | | | | | | | | | | | | | | | | | | | | | | | | | | | | | | |
| GLAZE AT JOB | | | | | | | | | | | | | | | | | | | | | | | | | | | | | | | | | | | | | | | | | | | | | | | | | | | | | | | |
| GLASS BY: | INT'L: <input checked="" type="checkbox"/> | OTHERS: <input type="checkbox"/> | | | | | | | | | | | | | | | | | | | | | | | | | | | | | | | | | | | | | | | | | | | | | | | | | | | | | |
| ELECTRIC WIRING AND FIXTURES TO BE FURNISHED BY OTHERS UNLESS SPECIFIED "BY INT'L" ON THIS DRAWING. | | | | | | | | | | | | | | | | | | | | | | | | | | | | | | | | | | | | | | | | | | | | | | | | | | | | | | | |
| RECESS IN FLOOR FOR FLOOR CHECKS, SPEED CONTROL, ETC., TO BE FURNISHED BY OTHERS. | | | | | | | | | | | | | | | | | | | | | | | | | | | | | | | | | | | | | | | | | | | | | | | | | | | | | | | |
| LOCK CYLINDERS * | | | | | | | | | | | | | | | | | | | | | | | | | | | | | | | | | | | | | | | | | | | | | | | | | | | | | | | |
| STANDARD: <input checked="" type="checkbox"/> | MASTER KEYED: <input type="checkbox"/> | | | | | | | | | | | | | | | | | | | | | | | | | | | | | | | | | | | | | | | | | | | | | | | | | | | | | | |
| BY INT'L: <input checked="" type="checkbox"/> | BY OTHERS: <input type="checkbox"/> | | | | | | | | | | | | | | | | | | | | | | | | | | | | | | | | | | | | | | | | | | | | | | | | | | | | | | |
| INTERIOR 30-60 LINE LOCKING | | | | | | | | | | | | | | | | | | | | | | | | | | | | | | | | | | | | | | | | | | | | | | | | | | | | | | | |
| | | | | | | | | | | | | | | | | | | | | | | | | | | | | | | | | | | | | | | | | | | | | | | | | | | | | | | | |
| MARK WING NUMBERS AS SHOWN | | | | | | | | | | | | | | | | | | | | | | | | | | | | | | | | | | | | | | | | | | | | | | | | | | | | | | | |
| (1) REV. DOOR PER THESE DETAILS | | | | | | | | | | | | | | | | | | | | | | | | | | | | | | | | | | | | | | | | | | | | | | | | | | | | | | | |
| <table border="1"> <thead> <tr> <th>DATE</th> <th>LOC. KEY</th> <th>DESCRIPTION</th> <th>BY</th> </tr> </thead> <tbody> <tr> <td colspan="4">REVISIONS</td> </tr> <tr> <td colspan="4">WE ASSUME NO RESPONSIBILITY AS TO MEASUREMENTS OR DETAILS AFFECTING ANY WORK BUT OUR OWN AND ARE NOT RESPONSIBLE FOR ANY ERRORS OCCURRING THRU THE USE OF THIS DRAWING BY OTHER PARTIES.</td> </tr> <tr> <td colspan="4">PRINTS ISSUED</td> </tr> <tr> <td>NO.</td> <td>KEY</td> <td>DATE</td> <td>NO. KEY DATE</td> </tr> <tr> <td> </td> <td> </td> <td> </td> <td> </td> </tr> <tr> <td> </td> <td> </td> <td> </td> <td> </td> </tr> <tr> <td> </td> <td> </td> <td> </td> <td> </td> </tr> <tr> <td colspan="4">KEY EXPLANATION</td> </tr> <tr> <td>AP - APPROVAL</td> <td>ER - ERECTION</td> <td colspan="2"></td> </tr> <tr> <td>F.A. - FINAL APPROVAL</td> <td>RT - REQUEST</td> <td colspan="2"></td> </tr> <tr> <td>DB - DISTRIBUTION</td> <td>R.R. - REPR. REFERENCE</td> <td colspan="2"></td> </tr> <tr> <td>S.I. - SHOP INSPECTION</td> <td></td> <td colspan="2"></td> </tr> </tbody> </table> | | | | DATE | LOC. KEY | DESCRIPTION | BY | REVISIONS | | | | WE ASSUME NO RESPONSIBILITY AS TO MEASUREMENTS OR DETAILS AFFECTING ANY WORK BUT OUR OWN AND ARE NOT RESPONSIBLE FOR ANY ERRORS OCCURRING THRU THE USE OF THIS DRAWING BY OTHER PARTIES. | | | | PRINTS ISSUED | | | | NO. | KEY | DATE | NO. KEY DATE | | | | | | | | | | | | | KEY EXPLANATION | | | | AP - APPROVAL | ER - ERECTION | | | F.A. - FINAL APPROVAL | RT - REQUEST | | | DB - DISTRIBUTION | R.R. - REPR. REFERENCE | | | S.I. - SHOP INSPECTION | | | |
| DATE | LOC. KEY | DESCRIPTION | BY | | | | | | | | | | | | | | | | | | | | | | | | | | | | | | | | | | | | | | | | | | | | | | | | | | | | |
| REVISIONS | | | | | | | | | | | | | | | | | | | | | | | | | | | | | | | | | | | | | | | | | | | | | | | | | | | | | | | |
| WE ASSUME NO RESPONSIBILITY AS TO MEASUREMENTS OR DETAILS AFFECTING ANY WORK BUT OUR OWN AND ARE NOT RESPONSIBLE FOR ANY ERRORS OCCURRING THRU THE USE OF THIS DRAWING BY OTHER PARTIES. | | | | | | | | | | | | | | | | | | | | | | | | | | | | | | | | | | | | | | | | | | | | | | | | | | | | | | | |
| PRINTS ISSUED | | | | | | | | | | | | | | | | | | | | | | | | | | | | | | | | | | | | | | | | | | | | | | | | | | | | | | | |
| NO. | KEY | DATE | NO. KEY DATE | | | | | | | | | | | | | | | | | | | | | | | | | | | | | | | | | | | | | | | | | | | | | | | | | | | | |
| | | | | | | | | | | | | | | | | | | | | | | | | | | | | | | | | | | | | | | | | | | | | | | | | | | | | | | | |
| | | | | | | | | | | | | | | | | | | | | | | | | | | | | | | | | | | | | | | | | | | | | | | | | | | | | | | | |
| | | | | | | | | | | | | | | | | | | | | | | | | | | | | | | | | | | | | | | | | | | | | | | | | | | | | | | | |
| KEY EXPLANATION | | | | | | | | | | | | | | | | | | | | | | | | | | | | | | | | | | | | | | | | | | | | | | | | | | | | | | | |
| AP - APPROVAL | ER - ERECTION | | | | | | | | | | | | | | | | | | | | | | | | | | | | | | | | | | | | | | | | | | | | | | | | | | | | | | |
| F.A. - FINAL APPROVAL | RT - REQUEST | | | | | | | | | | | | | | | | | | | | | | | | | | | | | | | | | | | | | | | | | | | | | | | | | | | | | | |
| DB - DISTRIBUTION | R.R. - REPR. REFERENCE | | | | | | | | | | | | | | | | | | | | | | | | | | | | | | | | | | | | | | | | | | | | | | | | | | | | | | |
| S.I. - SHOP INSPECTION | | | | | | | | | | | | | | | | | | | | | | | | | | | | | | | | | | | | | | | | | | | | | | | | | | | | | | | |
| <p>INTERNATIONAL REVOLVING DOOR COMPANY</p> <p>2138 N. SIXTH AVENUE, EVANSVILLE, INDIANA 47710-2895 PH: 812-425-3311 -- FAX: 812-426-2682 -- TEL: 800-745-4726 INFO@INTERNATIONALREVOLVINGDOORS.COM -- WWW.INTERNATIONALREVOLVINGDOORS.COM</p> | | | | | | | | | | | | | | | | | | | | | | | | | | | | | | | | | | | | | | | | | | | | | | | | | | | | | | | |
| JOB: STOCK | | | | | | | | | | | | | | | | | | | | | | | | | | | | | | | | | | | | | | | | | | | | | | | | | | | | | | | |
| LOCATION: -- | | | | | | | | | | | | | | | | | | | | | | | | | | | | | | | | | | | | | | | | | | | | | | | | | | | | | | | |
| CONTACT: -- | | | | | | | | | | | | | | | | | | | | | | | | | | | | | | | | | | | | | | | | | | | | | | | | | | | | | | | |
| ENTRANCE: -- | | | | | | | | | | | | | | | | | | | | | | | | | | | | | | | | | | | | | | | | | | | | | | | | | | | | | | | |
| ARCHITECT: -- | | | | | | | | | | | | | | | | | | | | | | | | | | | | | | | | | | | | | | | | | | | | | | | | | | | | | | | |
| <table border="1"> <thead> <tr> <th>MATERIAL</th> <th>FINISH</th> <th>MODEL</th> </tr> </thead> <tbody> <tr> <td>WINGS - .063" STAINLESS STEEL & EXTRUDED ALUMINUM</td> <td>WALLS - .063" STAINLESS STEEL</td> <td>CEILING - .063" STAINLESS STEEL</td> </tr> <tr> <td>ROOF - .063" ALUMINUM - CLEAR ANODIZED</td> <td>FINISH: #4 SATIN</td> <td>MODEL: SATURN - 3-WING - AUTOMATIC</td> </tr> </tbody> </table> | | | | MATERIAL | FINISH | MODEL | WINGS - .063" STAINLESS STEEL & EXTRUDED ALUMINUM | WALLS - .063" STAINLESS STEEL | CEILING - .063" STAINLESS STEEL | ROOF - .063" ALUMINUM - CLEAR ANODIZED | FINISH: #4 SATIN | MODEL: SATURN - 3-WING - AUTOMATIC | | | | | | | | | | | | | | | | | | | | | | | | | | | | | | | | | | | | | | | | | | | |
| MATERIAL | FINISH | MODEL | | | | | | | | | | | | | | | | | | | | | | | | | | | | | | | | | | | | | | | | | | | | | | | | | | | | | |
| WINGS - .063" STAINLESS STEEL & EXTRUDED ALUMINUM | WALLS - .063" STAINLESS STEEL | CEILING - .063" STAINLESS STEEL | | | | | | | | | | | | | | | | | | | | | | | | | | | | | | | | | | | | | | | | | | | | | | | | | | | | | |
| ROOF - .063" ALUMINUM - CLEAR ANODIZED | FINISH: #4 SATIN | MODEL: SATURN - 3-WING - AUTOMATIC | | | | | | | | | | | | | | | | | | | | | | | | | | | | | | | | | | | | | | | | | | | | | | | | | | | | | |
| THIS CAD DRAWING IN DESIGN AND DETAIL IS THE PROPERTY OF THE INTERNATIONAL REVOLVING DOOR CO. OF EVANSVILLE, INDIANA AND MUST NOT BE SHOWN, COPIED, REPRODUCED, LOANED OR OTHERWISE DISPOSED OF DIRECTLY OR INDIRECTLY, AND SHALL BE USED ONLY IN CONNECTION WITH ESTIMATES AND WORK OF THIS COMPANY. ALL RIGHTS OF INVENTION ARE RESERVED. THIS DRAWING MUST BE RETURNED WHEN REQUESTED. | | | | | | | | | | | | | | | | | | | | | | | | | | | | | | | | | | | | | | | | | | | | | | | | | | | | | | | |
| DRAWN: STOCK | DATE: STOCK | DOOR NO: -- | | | | | | | | | | | | | | | | | | | | | | | | | | | | | | | | | | | | | | | | | | | | | | | | | | | | | |
| CHECKED: -- | DATE: -- | DRAWING NO: -- | | | | | | | | | | | | | | | | | | | | | | | | | | | | | | | | | | | | | | | | | | | | | | | | | | | | | |
| SCALE: 1:16 | ORDER NO: -- | | | | | | | | | | | | | | | | | | | | | | | | | | | | | | | | | | | | | | | | | | | | | | | | | | | | | | |
| SHEET 1 | OF 3 | | | | | | | | | | | | | | | | | | | | | | | | | | | | | | | | | | | | | | | | | | | | | | | | | | | | | | |

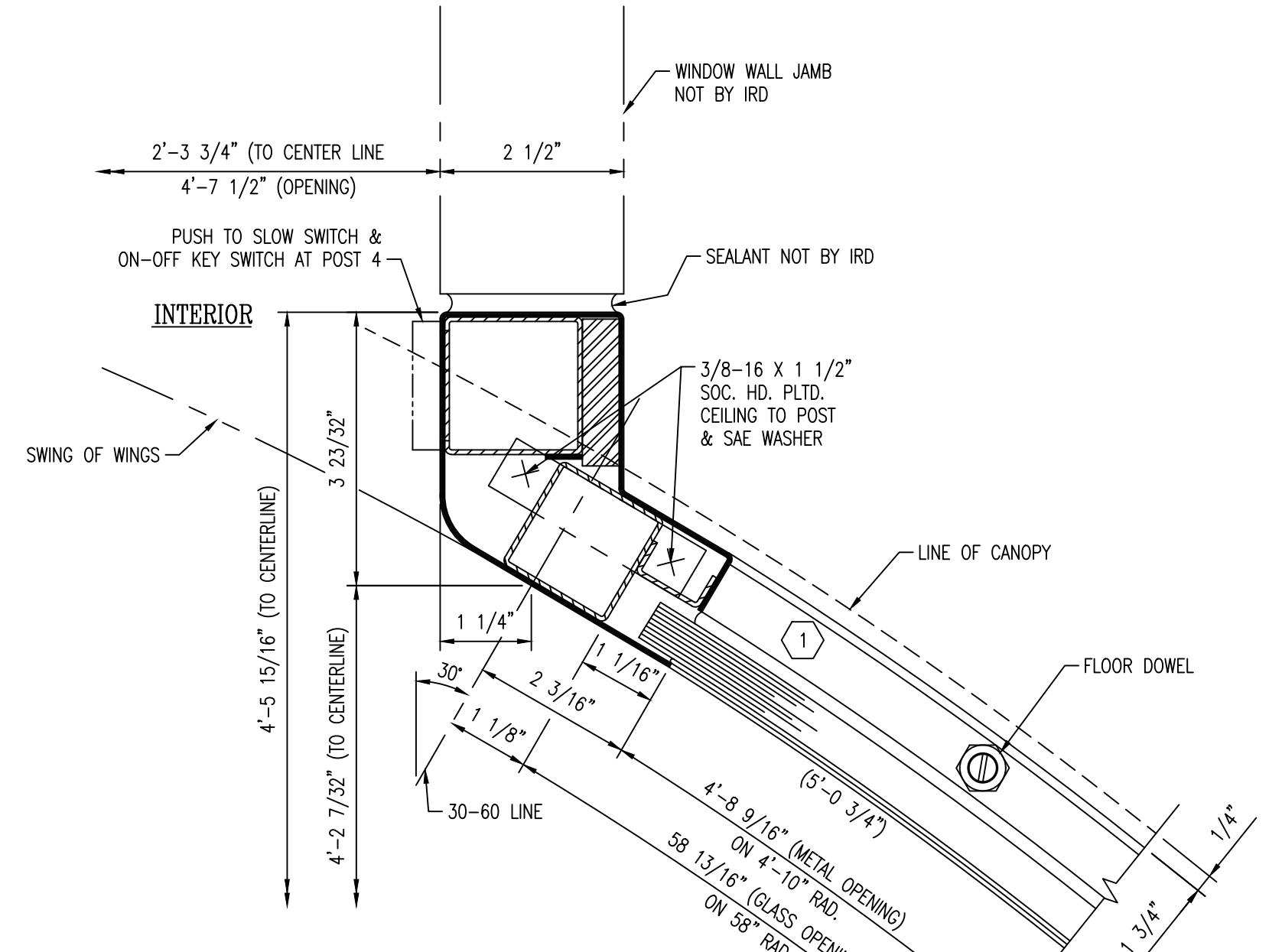


SECTION THRU WING (TYPICAL)

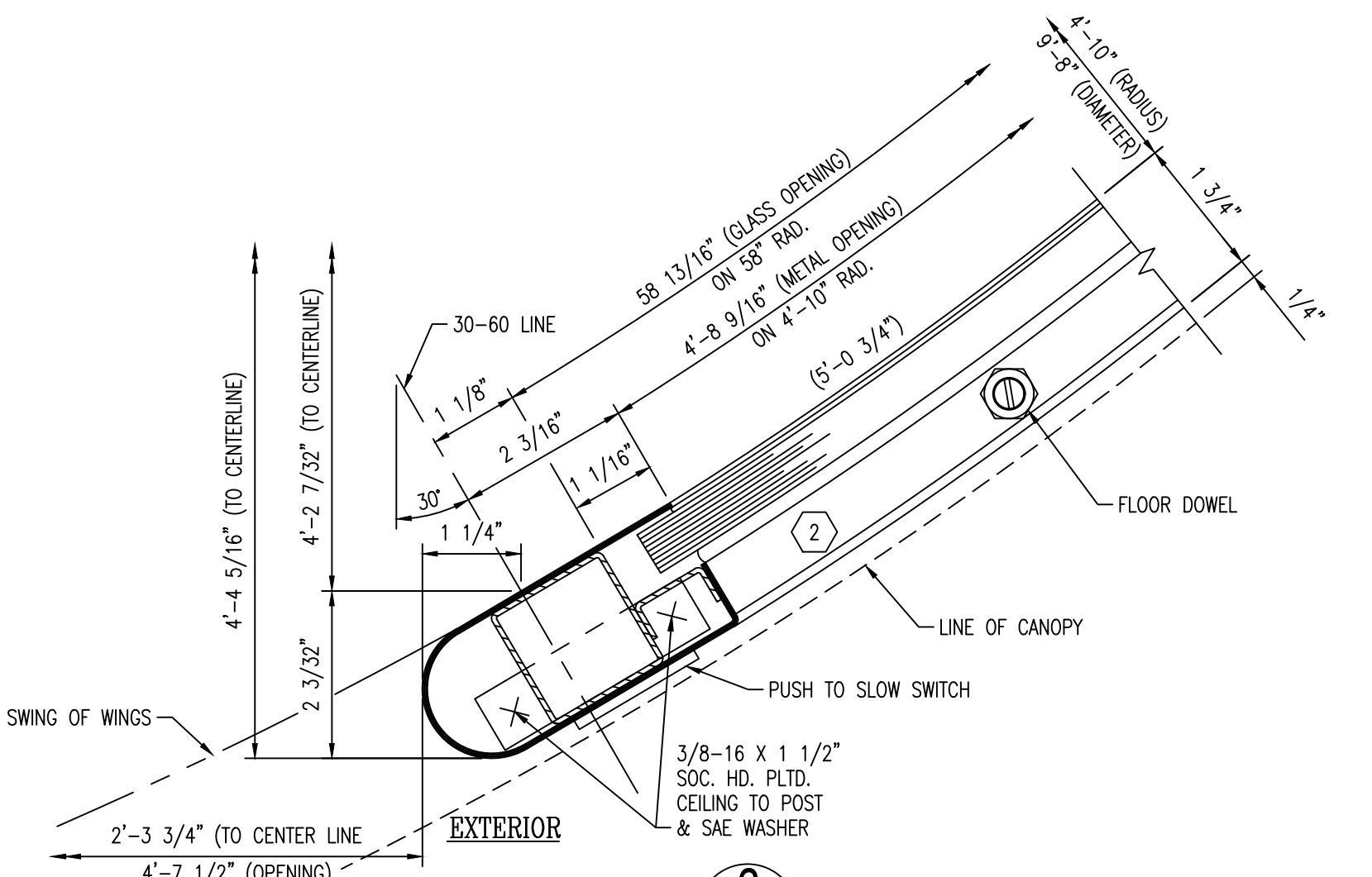
SECTION AT 5/12



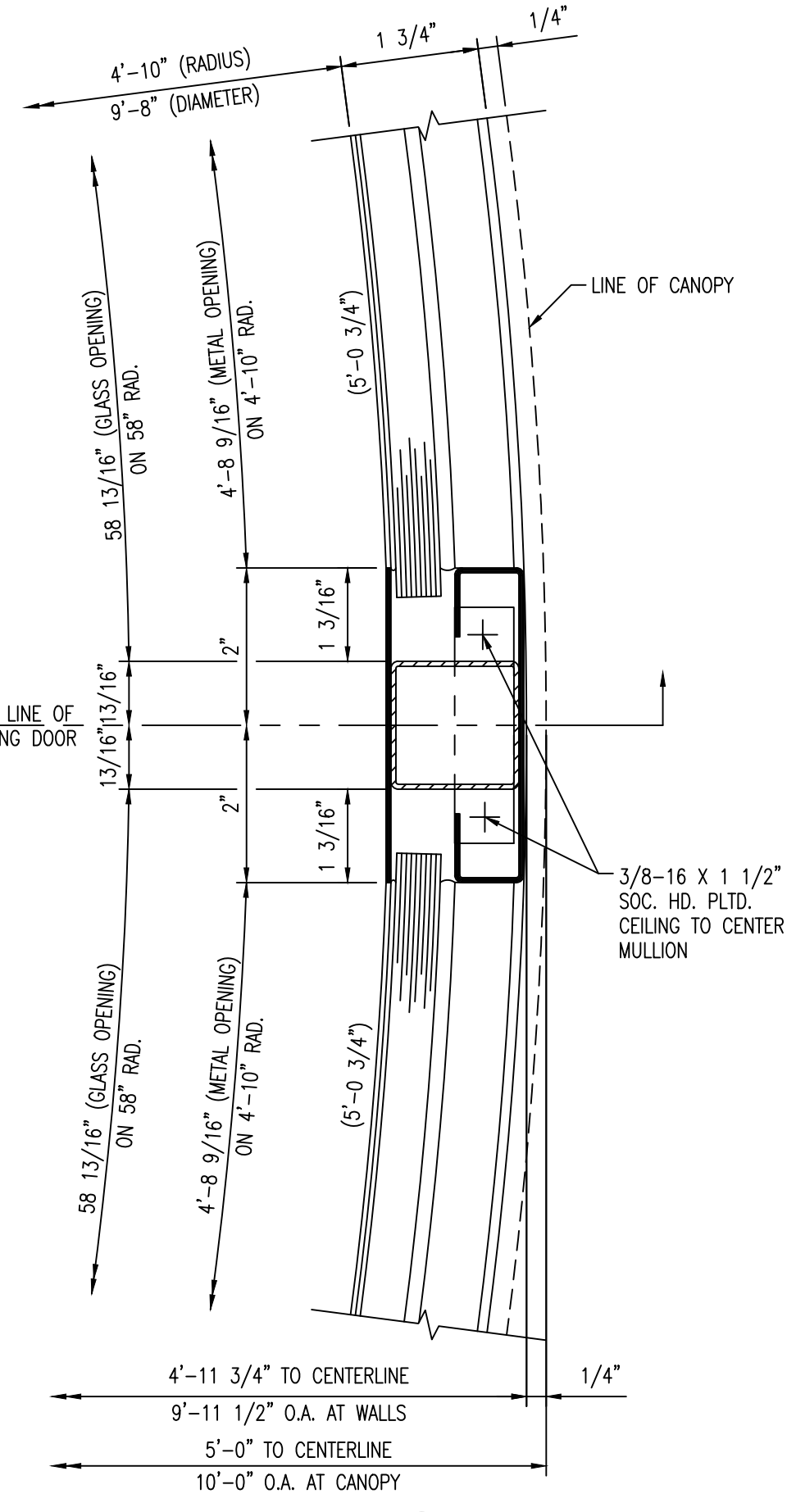
PLAN VIEW OF WING



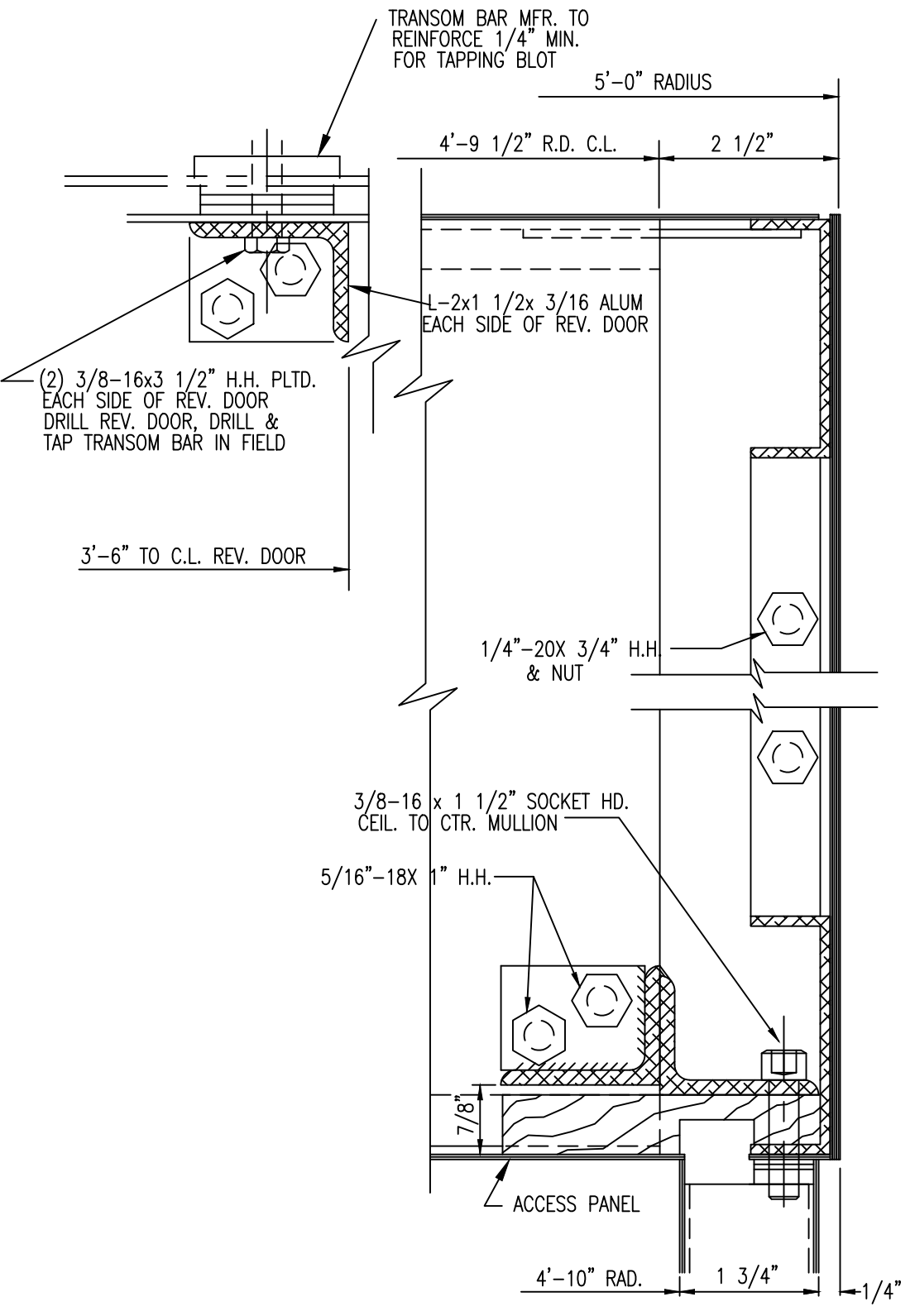
PLAN AT 4/12



PLAN AT 2/12



PLAN AT 3/12



SECTION AT 11/22

| DATE | LOC. KEY | DESCRIPTION | BY | | |
|--|------------------------|-------------|-----|-----|------|
| REVISIONS | | | | | |
| WE ASSUME NO RESPONSIBILITY AS TO MEASUREMENTS OR DETAILS AFFECTING ANY WORK BUT OUR OWN AND ARE NOT RESPONSIBLE FOR ANY ERRORS OCCURRING THRU THE USE OF THIS DRAWING BY OTHER PARTIES. | | | | | |
| PRINTS ISSUED | | | | | |
| NO. | KEY | DATE | NO. | KEY | DATE |
| | | | | | |
| KEY EXPLANATION | | | | | |
| AP - APPROVAL | ER - ERECTION | | | | |
| F.A. - FINAL APPROVAL | RT - REQUEST | | | | |
| DB - DISTRIBUTION | R.R. - REPR. REFERENCE | | | | |
| S.I. - SHOP INSPECTION | | | | | |

(9'-8"ø x 7'-6" TALL)

INTERNATIONAL REVOLVING DOOR COMPANY

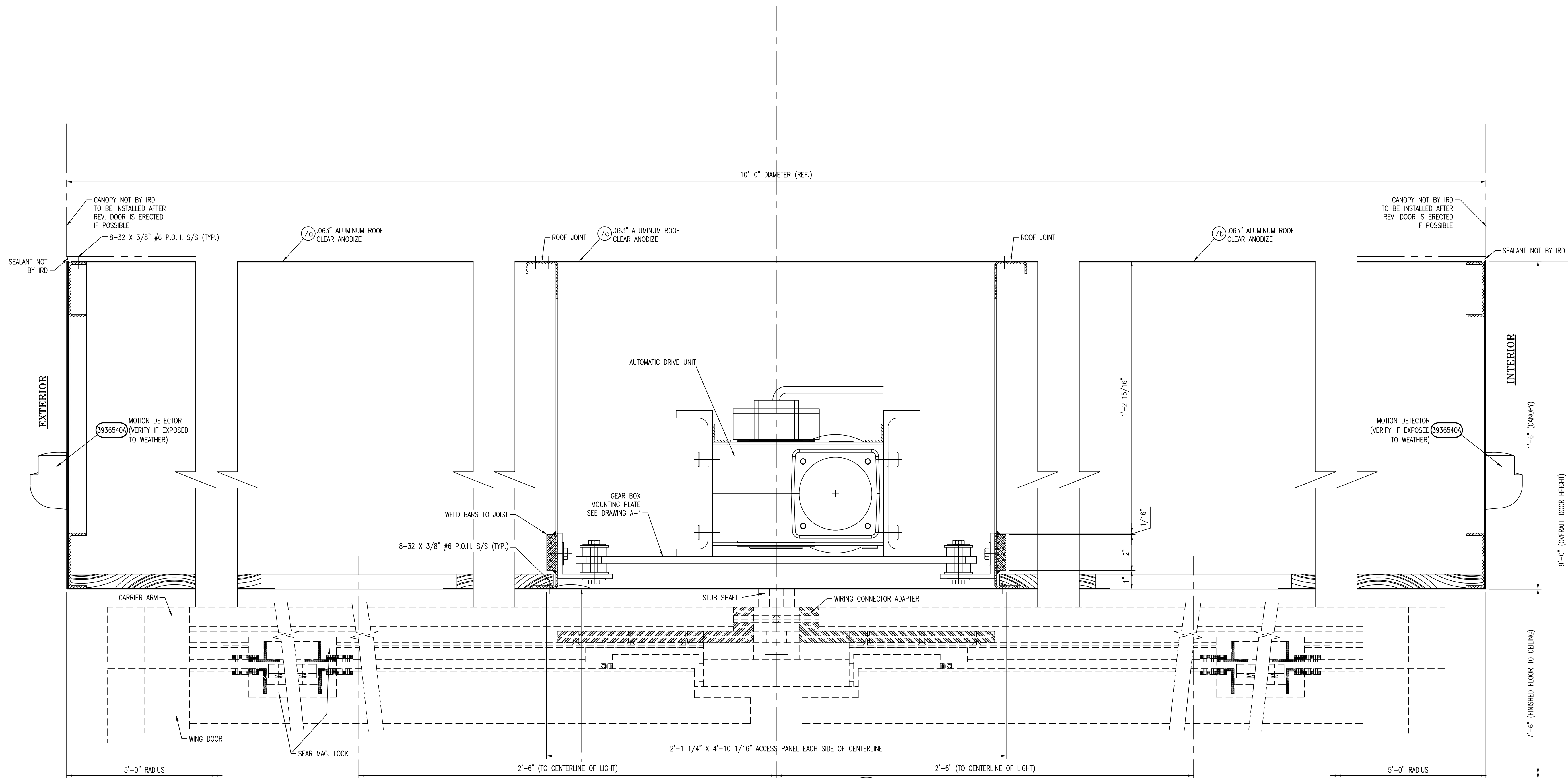
2138 N. SIXTH AVENUE, EVANSVILLE, INDIANA 47710-2895
 PH: 812-425-3311 -- FAX: 812-426-2682 -- TEL: 800-745-4726
 INFO@INTERNATIONALREVOLVINGDOORS.COM -- WWW.INTERNATIONALREVOLVINGDOORS.COM

JOB: STOCK
 LOCATION: --
 CONTACT: --
 ENTRANCE: --
 ARCHITECT: --

| | |
|----------|---|
| MATERIAL | WINGS - .063" STAINLESS STEEL & EXTRUDED ALUMINUM |
| | WALLS - .063" STAINLESS STEEL |
| | CEILING - .063" STAINLESS STEEL |
| | ROOF - .063" ALUMINUM - CLEAR ANODIZED |
| FINISH | #4 SATIN |
| MODEL | SATURN - 3-WING - AUTOMATIC |

THIS CAD DRAWING IN DESIGN AND DETAIL IS THE PROPERTY OF THE INTERNATIONAL REVOLVING DOOR CO. OF EVANSVILLE, INDIANA AND MUST NOT BE SHOWN, COPIED, REPRODUCED, LOANED OR OTHERWISE DISPOSED OF DIRECTLY OR INDIRECTLY, AND SHALL BE USED ONLY IN CONNECTION WITH ESTIMATES AND WORK OF THIS COMPANY. ALL RIGHTS OF INVENTION ARE RESERVED. THIS DRAWING MUST BE RETURNED WHEN REQUESTED.

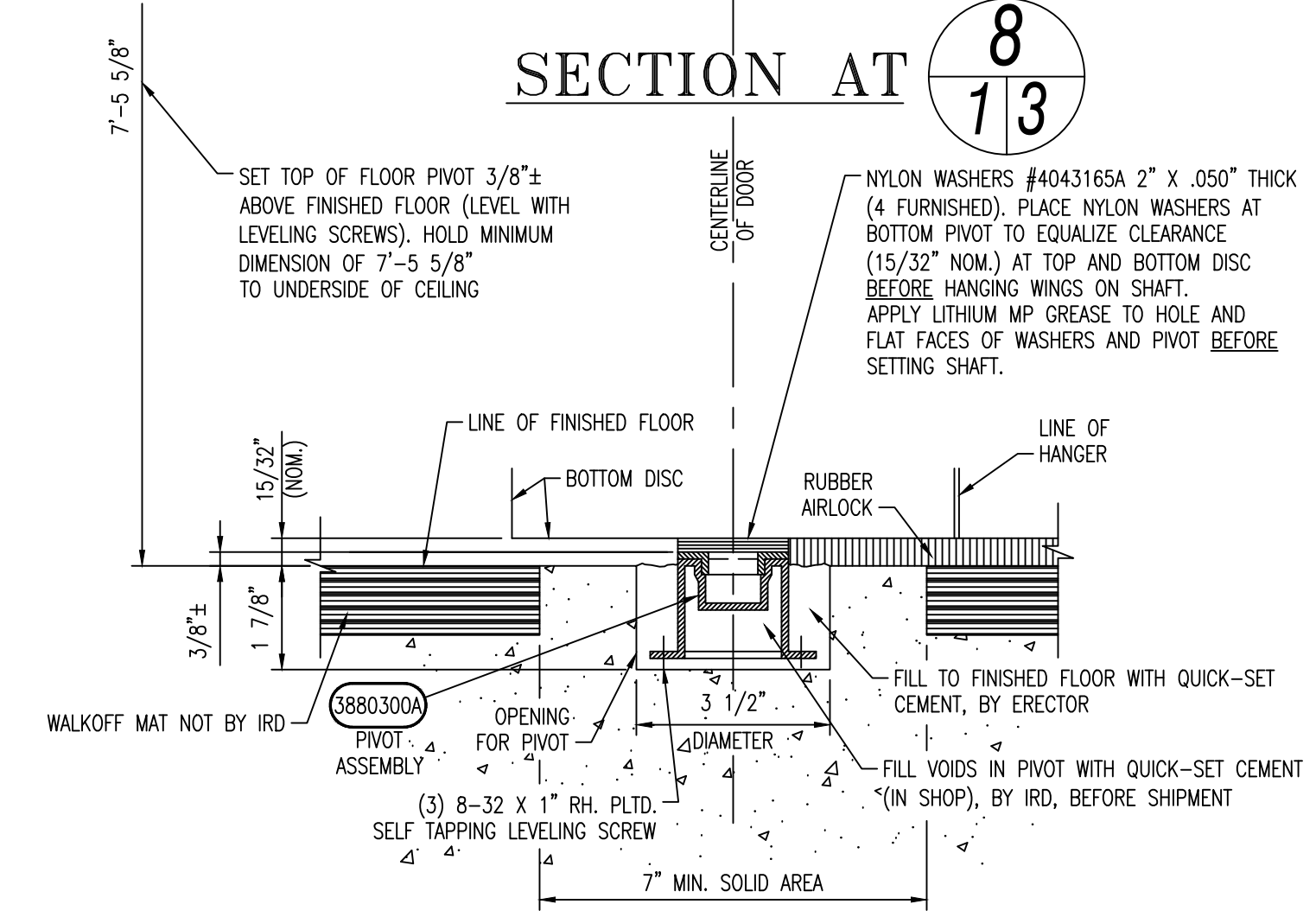
DRAWN: STOCK DATE: STOCK DOOR NO: --
 CHECKED: DATE: DRAWING NO: --
 SCALE: 1:16
 SHEET 1 OF 3 ORDER NO: --



SECTION AT $\frac{7}{13}$

SECTION AT $\frac{8}{13}$

SECTION AT $\frac{9}{13}$



SECTION AT $\frac{10}{13}$

| DATE | LOC. KEY | DESCRIPTION | BY | | |
|--|------------------|-------------|-----|-----|------|
| REVISIONS | | | | | |
| WE ASSUME NO RESPONSIBILITY AS TO MEASUREMENTS OR DETAILS AFFECTING ANY WORK BUT OUR OWN AND ARE NOT RESPONSIBLE FOR ANY ERRORS OCCURRING THRU THE USE OF THIS DRAWING BY OTHER PARTIES. | | | | | |
| PRINTS ISSUED | | | | | |
| NO. | KEY | DATE | NO. | KEY | DATE |
| | | | | | |
| | | | | | |
| | | | | | |
| | | | | | |
| | | | | | |
| | | | | | |
| | | | | | |
| | | | | | |
| | | | | | |
| | | | | | |
| KEY EXPLANATION | | | | | |
| AP - APPROVAL | ER - ERECTION | | | | |
| F.A. - FINAL APPROVAL | RF - REQUEST | | | | |
| DB - DISTRIBUTION | R.R. - REFERENCE | | | | |
| S.I. - SHOP INSPECTION | | | | | |

(9'-8"ø x 7'-6" TALL)

INTERNATIONAL REVOLVING DOOR COMPANY

2138 N. SIXTH AVENUE, EVANSVILLE, INDIANA 47710-2895
 PH: 812-425-3311 -- FAX: 812-426-2682 -- TEL: 800-745-4726
 INFO@INTERNATIONALREVOLVINGDOORS.COM -- WWW.INTERNATIONALREVOLVINGDOORS.COM

JOB: STOCK
 LOCATION: --
 CONTACT: --
 ENTRANCE: --
 ARCHITECT: --

| | | |
|---------------|------------------------------------|---|
| DETAIL SYMBOL | MATERIAL | WINGS - .063" STAINLESS STEEL & EXTRUDED ALUMINUM |
| | | WALLS - .063" STAINLESS STEEL |
| | | CEILING - .063" STAINLESS STEEL |
| | | ROOF - .063" ALUMINUM - CLEAR ANODIZED |
| | FINISH: #4 SATIN | |
| | MODEL: SATURN - 3-WING - AUTOMATIC | |

THIS CAD DRAWING IN DESIGN AND DETAIL IS THE PROPERTY OF THE INTERNATIONAL REVOLVING DOOR CO. OF EVANSVILLE, INDIANA AND MUST NOT BE SHOWN, COPIED, REPRODUCED, LOANED OR OTHERWISE DISPOSED OF DIRECTLY OR INDIRECTLY, AND SHALL BE USED ONLY IN CONNECTION WITH ESTIMATES AND WORK OF THIS COMPANY. ALL RIGHTS OF INVENTION ARE RESERVED. THIS DRAWING MUST BE RETURNED WHEN REQUESTED.

| | | |
|--------------|-------------|----------------|
| DRAWN: STOCK | DATE: STOCK | DOOR NO: -- |
| CHECKED: -- | DATE: -- | DRAWING NO: -- |
| SCALE: 1:16 | | ORDER NO: -- |
| SHEET 1 OF 3 | | |