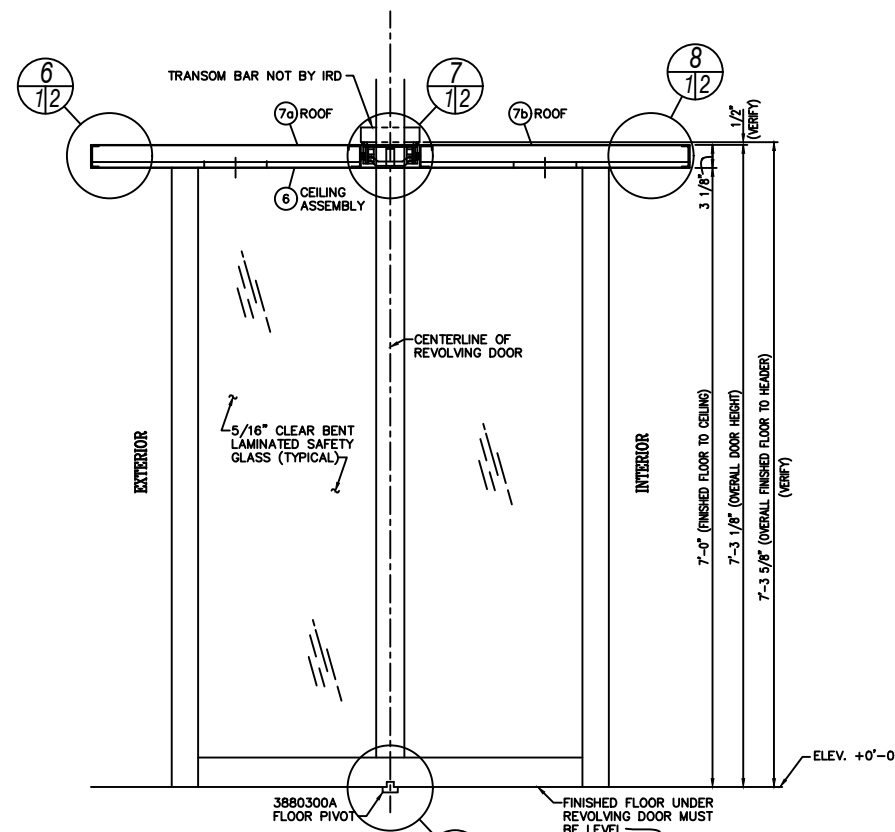


**EXTERIOR ELEVATION**  
(CONNECTIONS NOT SHOWN)



**SECTION AT 1/11**  
(WINGS NOT SHOWN)

NOTE:  
FINISHED FLOOR UNDER REVOLVING DOOR IS THE FINAL WALK-ON FLOOR. FLOOR COVERINGS LIKE CARPET, TILE, LINOLEUM, TERRAZO, RUBBER MAT, ETC. CANNOT BE ADDED TO THE FINISHED FLOOR INSIDE THE DRUM AFTER REVOLVING DOOR IS ERECTED UNLESS CLEARANCE HAS BEEN ADDED TO BOTTOM OF WINGS AND DRUM IN THE SHOP. REVOLVING DOOR WALLS MUST SET ON SOLID MATERIAL (NOT RUBBER MAT, CARPET OR OTHER RESILIENT MATERIAL.)

**ERECTION PROCEDURE**

- LAY OUT ENTRANCE ON FLOOR. FINISH FLOOR MUST BE LEVEL.
- SET ENCLOSURE WALLS UP IN PLACE. PLUMB AND LEVEL. VERIFY THAT WALLS ARE TO CORRECT RADIUS BY COMPARING TO FLOOR LAYOUT.
- MARK FLOOR FOR DOWEL LOCATIONS
- REMOVE WALLS, DRILL FLOOR FOR DOWELS. REPLACE WALLS AND DOWEL TO FLOOR.
- PLACE AND SECURE CEILING TO WALLS. PLUMB AND LEVEL ASSEMBLY AND TIE TO SURROUNDING WORK.
- INSTALL SPEED CONTROL IN CEILING. REMOVE COVER PLATE OF CONTROL AND PLACE PLUMB LINE PLUG IN MAIN GEAR HOLE. HANG PLUMB LINE FROM PLUG AND SHIM CONTROL UNTIL PLUMB LINE IS IN EXACT CENTER OF ENCLOSURES. SECURE CONTROL.
- LOWER PLUMB BOB TO FLOOR AND LOCATE CENTER OF DOOR AT FLOOR. SET FLOOR PIVOT IN EXACT CENTER, LEVEL WITH LEVELING SCREWS. FILL RECESS WITH QUICK-SET CEMENT.
- REMOVE PLUMB LINE PLUG AND SPEED CONTROL.
- APPLY LITHIUM MP GREASE TO TOP OF FLOOR PIVOT AND IN BORE; ALSO TO TOP OF CENTERSHAFT AND GREASE SEAL IN HOLE IN BOTTOM OF SPEED CONTROL.
- PLACE CENTERSHAFT IN POSITION IN FLOOR PIVOT. CHECK BOTTOM PIVOT PIN TO BE LOCKED DOWN AND ENGAGED INTO FLOOR PIVOT. SHIM TO PROPER HEIGHT. SEE JOB DRAWING, SHEET #2.
- INSTALL SPEED CONTROL ON CENTERSHAFT. REPLACE SHIMS AT CONTROL TO LOCATE CENTERSHAFT EXACTLY PLUMB. THREAD CONTROL ONTO SHAFT UNTIL BOTTOM OF SPEED CONTROL IS ABOUT 1/16" ABOVE CEILING SHEET. LEVEL & CENTER SPEED CONTROL. TIGHTEN (4) FLANGE NUTS. CHECK ALIGNMENT OF KEYWAYS IN THE SHAFT AND GEAR. ROTATE SHAFT IN THE NORMAL DIRECTION, ONE HALF TO ONE TURN UNTIL KEYWAYS LINE UP. INSERT SHAFT KEYS.
- ADD OIL TO SPEED CONTROL (TOTAL CONTENTS OF CAN). REPLACE SPEED CONTROL COVER PLATE AND SEAL WITH PERMATEX #2.
- INSTALL WINGS.
- CEILING LIGHTS TO BE WIRED BY ELECTRICAL CONTRACTOR. (SEE THIS SHEET)
- GLAZE WALLS. (SEE INSTRUCTION SHEET)
- INSTALL LOCKKEEPERS. (SEE SHEET #1)
- INSTALL ROOF AND SEAL, IF REQUIRED.

**NOTE:**  
ACCESS TO SPACE ABOVE SPEED CONTROL MUST BE FURNISHED AND REMAIN AVAILABLE FOR SERVICE AND ADJUSTMENT.  
ACCESS TO THIS SPACE TO BE FURNISHED BY IRD THRU REVOLVING DOOR CEILING.

**GENERAL CONTRACTOR NOTE:**  
SPEED CONTROL IS LOCATED DIRECTLY BENEATH ROOF COVER SHEET. DO NOT DRILL THRU ROOF COVER SHEET WITHOUT FIRST CONTACTING REVOLVING DOOR ERECTOR OR MANUFACTURER. ANY FASTENING TO ROOF COVER SHEET MUST NOT EXTEND MORE THAN 1/32" BELOW ROOF COVER SHEET WITHIN AREA REQUIRED FOR SPEED CONTROL.

**NOTE:**  
110V. AC CURRENT REQUIRED FOR CEILING LIGHTS. ENTRANCE COMPONENTS WILL BE PREPARED AT FACTORY FOR PASSAGE OF WIRE. IF SOURCE AND/OR ROUTING IS VERIFIED ON APPROVED DRAWING.

**NOTE:**  
NUMBERS APPEARING IN O ARE FOR ERECTION ONLY. POSTS AND CEILING ARE MATCHMARKED IN SHOP.

**NOTE:**  
ALL STEEL REINFORCING TO BE COATED WITH RUST PROHIBITING PAINT.

**NOTE:**  
WINGS ARE EQUIPPED WITH EMERGENCY COLLAPSIBLE MECHANISM.

**NOTE:**  
CONNECTING WORK TO BE DESIGNED TO BRACE & HOLD REV. DOOR SECURELY IN POSITION.

**NOTE:**  
THIS ORDER WILL NOT BE FABRICATED UNTIL:  
1. SHOP DRAWINGS ARE RECEIVED MARKED "APPROVED FOR FABRICATION" BY THE GENERAL CONTRACTOR OR OTHER RESPONSIBLE PARTY.  
2. FINISH SAMPLE IS RECEIVED MARKED "APPROVED".

"APPROVED FOR DESIGN ONLY" DOES NOT CONSTITUTE SUFFICIENT APPROVAL TO ALLOW FABRICATION TO PROCEED.

INTERNATIONAL REVOLVING DOOR COMPANY WILL NOT BE RESPONSIBLE FOR VERIFICATION OF FIELD DIMENSIONS OR COORDINATION OF DRAWINGS AND DIMENSIONS OF WORK FURNISHED BY OTHER TRADES.

\* CYLINDERS TO BE STANDARD 1 5/32" DIAMETER, 1" LENGTH (5-PIN) WITH STANDARD CAMS. SIMILAR TO ILOCO UNICAN #B9-7165-YA-1-KA2. LONGER CYLINDERS WILL REQUIRE SPACING COLLARS.

**NOTE:**  
INTERNATIONAL REVOLVING DOOR DOES NOT RECOMMEND THE FOLLOWING TYPES OF FLOORS; SLICK, GLASSY FLOORS CAUSING PEDESTRIAN TO SLIP AND POSSIBLY FALL WHILE PUSHING WING. RUBBER MATS CAUSING THE PEDESTRIAN TO EXERT MORE PRESSURE TO PUSH WINGS, AND FULL FLOOR GRILLS CAUSING AIR INFILTRATION.

**JOB NOTES**

**GLAZING**

WINGS, REVOLVING DOOR

GLAZE AT: JOB:  SHOP:

GLASS BY: INT'L:  OTHERS:

**WALLS, REVOLVING DOOR GLAZE AT JOB**

GLASS BY: INT'L:  OTHERS:

**ELECTRIC WIRING AND FIXTURES TO BE FURNISHED BY OTHERS UNLESS SPECIFIED "BY INT'L" ON THIS DRAWING. RECESS IN FLOOR FOR FLOOR CHECKS, SPEED CONTROL, ETC. TO BE FURNISHED BY OTHERS.**

**LOCK CYLINDERS \***

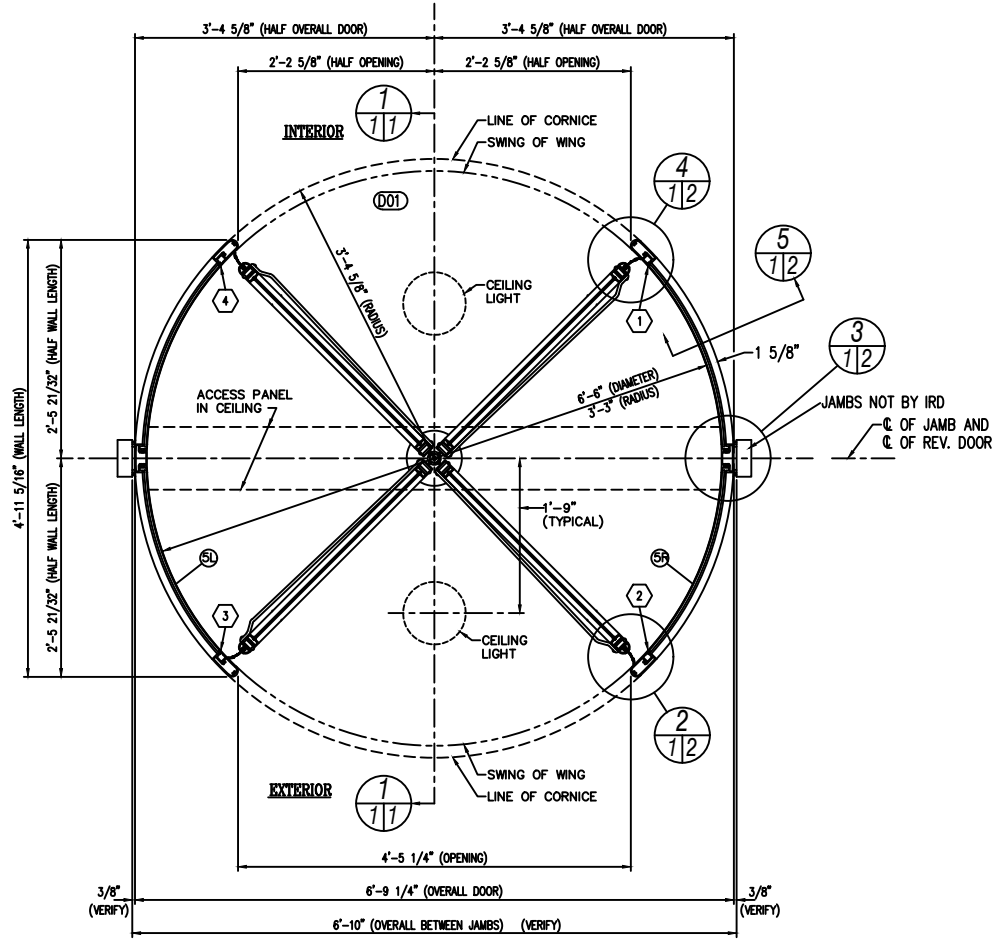
STANDARD:  MASTER KEYED:

BY INT'L:  BY OTHERS:

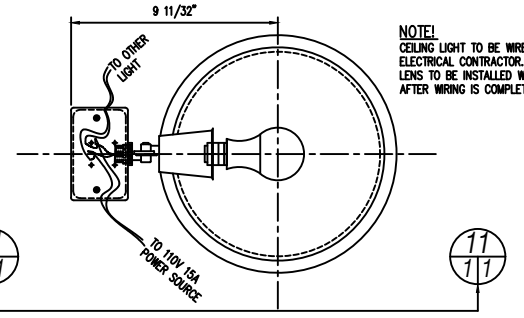
**INTERIOR QUARTERLINE LOCKING**

**MARK WING NUMBERS AS SHOWN**

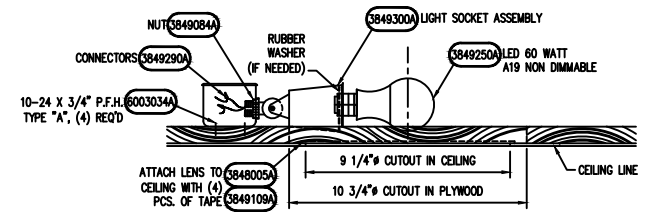
(1) REV. DOOR PER THESE DETAILS



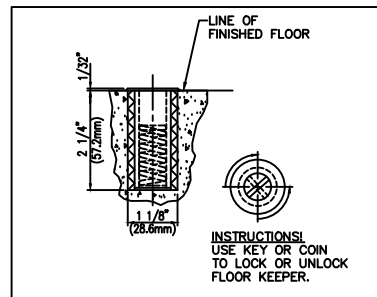
**PLAN VIEW**



**PLAN OF CEILING LIGHT FROM ABOVE**  
(ROOF REMOVED)



**SECTION AT 1/11**  
NOT TO SCALE



**FLOOR KEEPER #3804122G**  
**HEEL AND DUST PROOF**

6'-6" Ø x 7'-0" TALL

**INTERNATIONAL REVOLVING DOOR COMPANY**  
**IRD GROUP, INC.**

2138 N. SIXTH AVENUE, EVANSVILLE, INDIANA 47710-2988  
PH: 812-426-2311 FAX: 812-426-2982 TEL: 800-2945-4726  
EMAIL: INFO@INTRENTRANCE.COM WWW.INTRENTRANCE.COM

JOB: INTERNATIONAL REVOLVING DOOR SALES  
LOCATION: EVANSVILLE, IN  
MODEL TYPE: SATURN S  
CONTACT: I.R.D.  
ARCHITECT: -

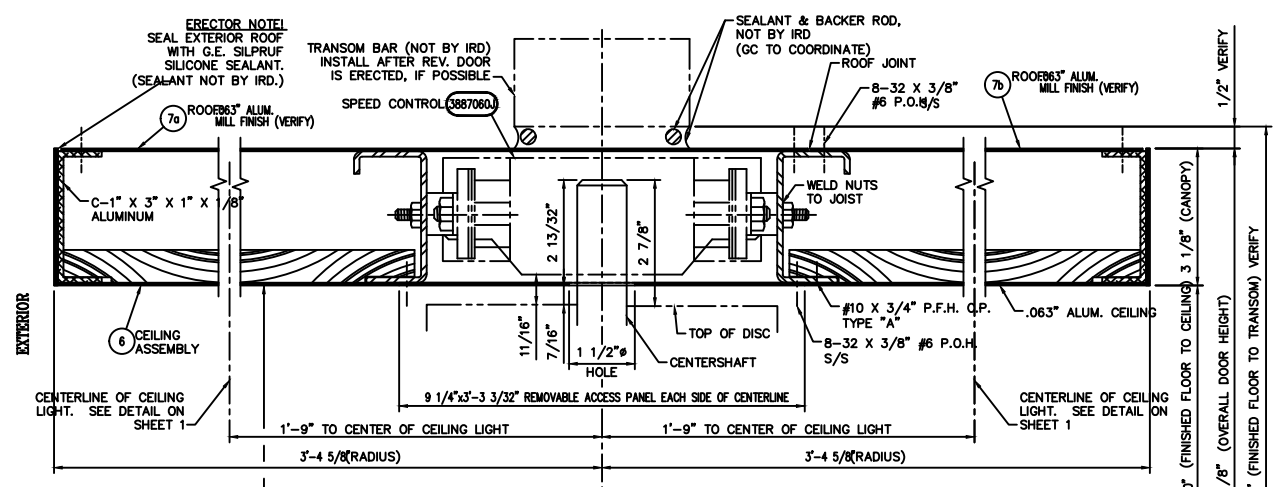
**MATERIAL**

WINGS- EXTRUDED ALUMINUM  
WALLS- EXTRUDED ALUMINUM  
CEILING- .063" ALUMINUM  
ROOF- .063" ALUMINUM MILL FINISH  
FINISH: CLEAR ANODIZED 215-R1

**DETAIL SYMBOL**

THIS DRAWING IN DESIGN AND DETAIL IS THE PROPERTY OF THE INTERNATIONAL REVOLVING DOOR COMPANY OF EVANSVILLE, INDIANA AND MUST NOT BE SHOWN, COPIED, REPRODUCED, LOANED OR OTHERWISE DISPOSED OF DIRECTLY OR INDIRECTLY, AND SHALL BE USED ONLY IN CONNECTION WITH ESTIMATES AND WORK OF THIS COMPANY. ALL RIGHTS OF INVENTION ARE RESERVED. THIS DRAWING MUST BE RETURNED WHEN REQUESTED

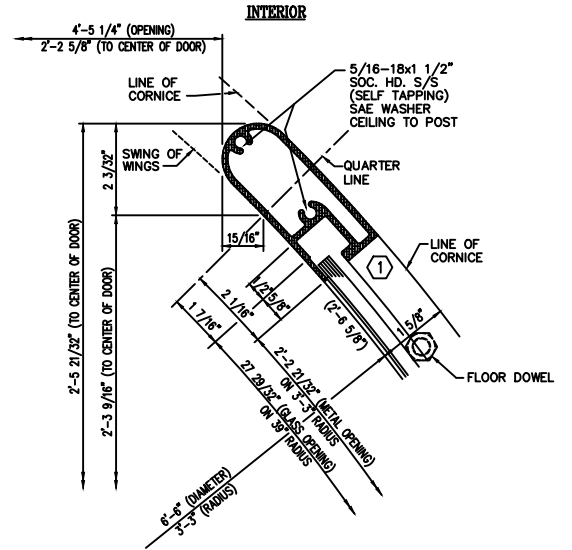
DRAWN: *JRD* DATE: 7-28-21 DOOR NO: TBA  
CHECKED: DATE: DRAWING NO: STOCK  
SCALE: 1" = 1'-0"  
SHEET 1 OF 2 ORDER NO: **STOCK**



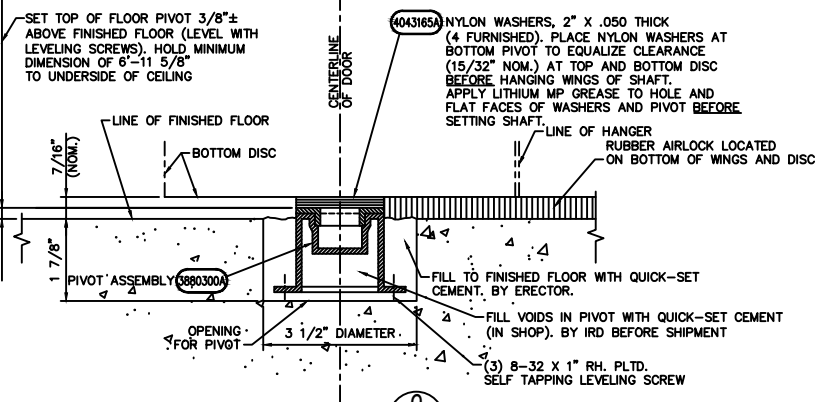
SECTION AT 6/12

SECTION AT 7/12

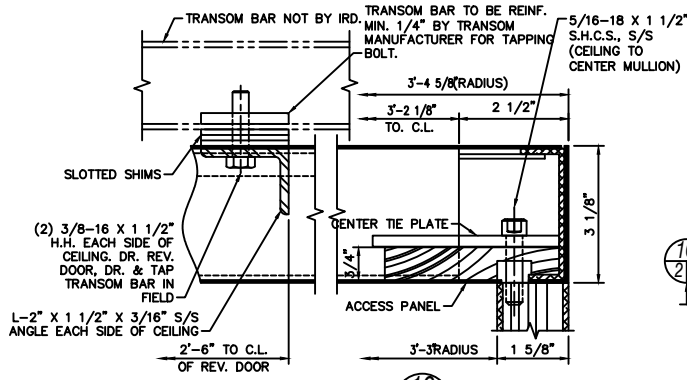
SECTION AT 8/12



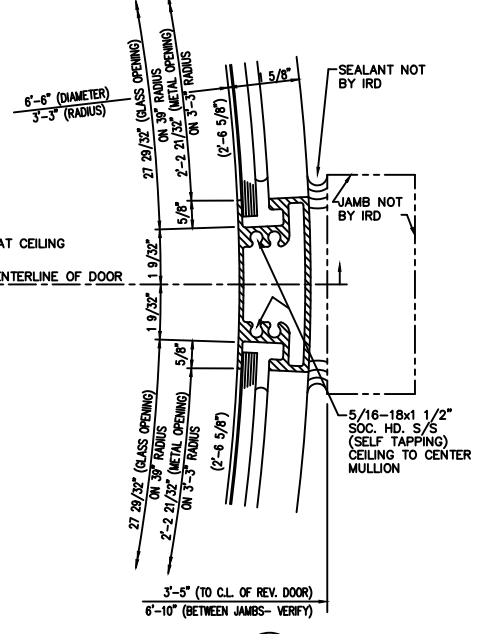
PLAN AT 4/12



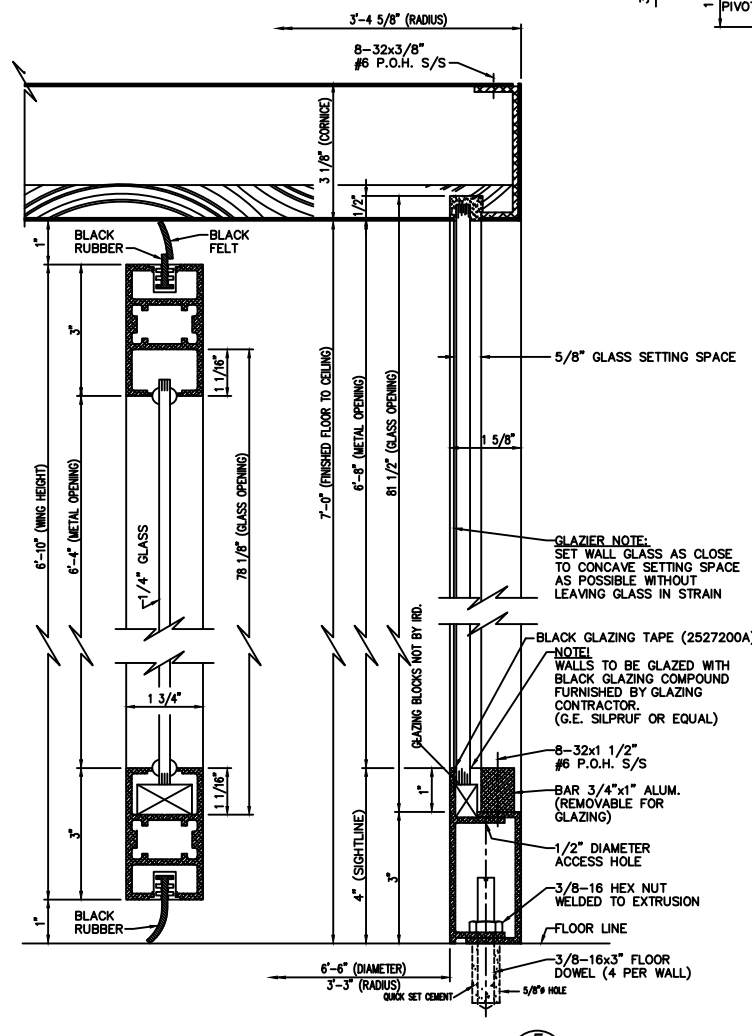
SECTION AT 9/12



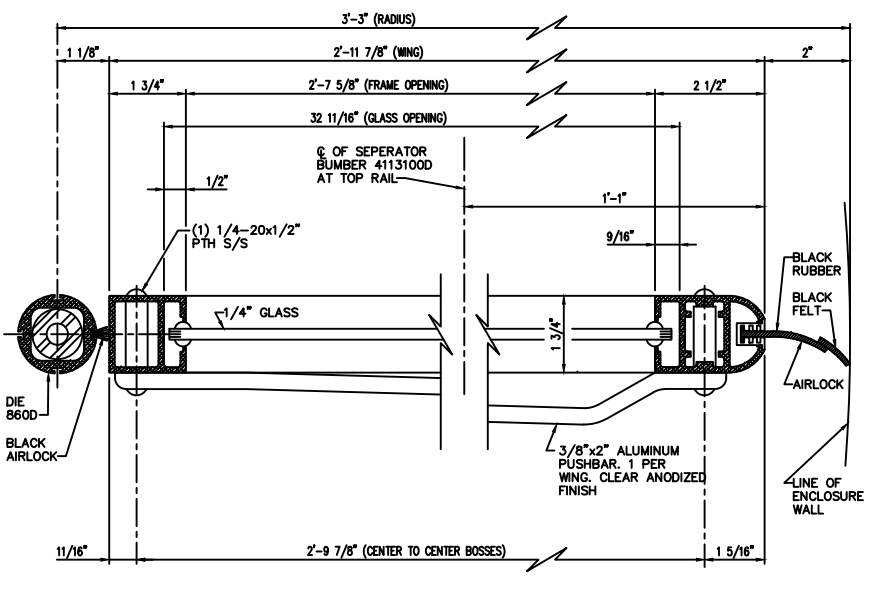
SECTION AT 10/12



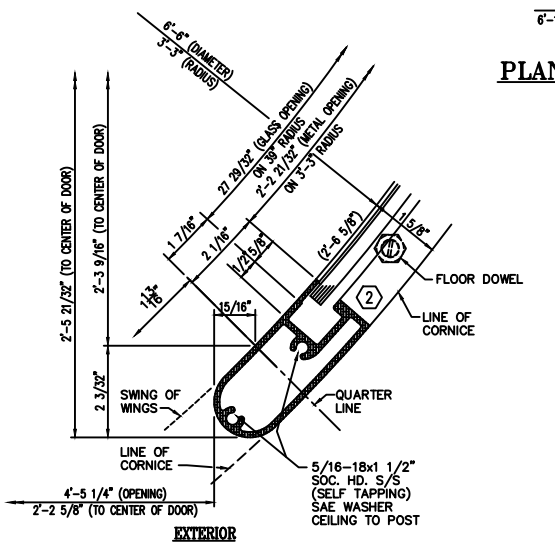
PLAN AT 3/12



SECTION THRU WING (TYPICAL) SECTION AT 5/12



PLAN VIEW OF WING HARDWARE TYPE: SUNLINE FLOOR SUPPORTED



PLAN AT 2/12

DATE	LOC.	KEY	DESCRIPTION	BY	
REVISIONS					
WE ASSUME NO RESPONSIBILITY AS TO MEASUREMENTS OR DETAILS AFFECTING ANY WORK BUT OUR OWN AND ARE NOT RESPONSIBLE FOR ANY ERRORS OCCURRING THRU THE USE OF THIS DRAWING BY OTHER PARTIES.					
PRINTS ISSUED					
NO.	KEY	DATE	NO.	KEY	DATE
1	VEL	AP	-	-	-
3	BL	AP	-	-	-
EMAIL	-	-	-	-	-
-	-	-	-	-	-
-	-	-	-	-	-
-	-	-	-	-	-
-	-	-	-	-	-
-	-	-	-	-	-
KEY EXPLANATION					
AP - APPROVAL	ER - ERECTION				
F.A. - FINAL APPROVAL	FR. - REQUEST				
DB - DISTRIBUTION	R.R. - REPR. REFERENCE				
S.I. - SHOP INSPECTION					

6'-6" Ø x 7'-0" TALL

**INTERNATIONAL REVOLVING DOOR COMPANY**  
**I.R.D. GROUP, INC.**

2138 N. 56TH AVENUE, EVANSVILLE, INDIANA 47710-2895  
PH: 812-428-3311 FAX: 812-428-2882 TEL: 800-745-4726  
EMAIL: INFO@INTLREVOLVINGDOOR.COM WWW.INTLREVOLVINGDOOR.COM

JOB: INTERNATIONAL REVOLVING DOOR SALES  
LOCATION: EVANSVILLE, IN  
CONTACT: I.R.D.  
ENTRANCE:  
ARCHITECT:

SEE SHEET-1

DETAIL SYMBOL

THIS DRAWING IN DESIGN AND DETAIL IS THE PROPERTY OF THE INTERNATIONAL REVOLVING DOOR COMPANY OF EVANSVILLE, INDIANA AND MUST NOT BE SHOWN, COPIED, REPRODUCED, LOANED OR OTHERWISE DISPOSED OF DIRECTLY OR INDIRECTLY, AND SHALL BE USED ONLY IN CONNECTION WITH ESTIMATES AND WORK OF THIS COMPANY. ALL RIGHTS OF INVENTION ARE RESERVED. THIS DRAWING MUST BE RETURNED WHEN REQUESTED.

DRAWN: J.R.D. DATE: 7-28-21 DOOR NO: TBA  
CHECKED: DATE: DRAWING NO: STOCK  
SCALE: 1/2" = 1"  
SHEET 2 OF 2 ORDER NO: STOCK